

# 65360 Series RJ45 10P Side Entry

## General specifications

Insulator material	Polyester w/ glass fiber, UL94V-0, color: black
Contact material	Phosphor bronze
Current rating	1.5 A
Voltage rating	125 VAC
Contact resistance	50 mΩ max.
Insulator resistance	1000 MΩ min.
Dielectrical withstanding	1000 VAC for 1 min
Operating temperature	-40 °C to +85 °C
Soldering	Lead free wave soldering process
Durability	750 cycles

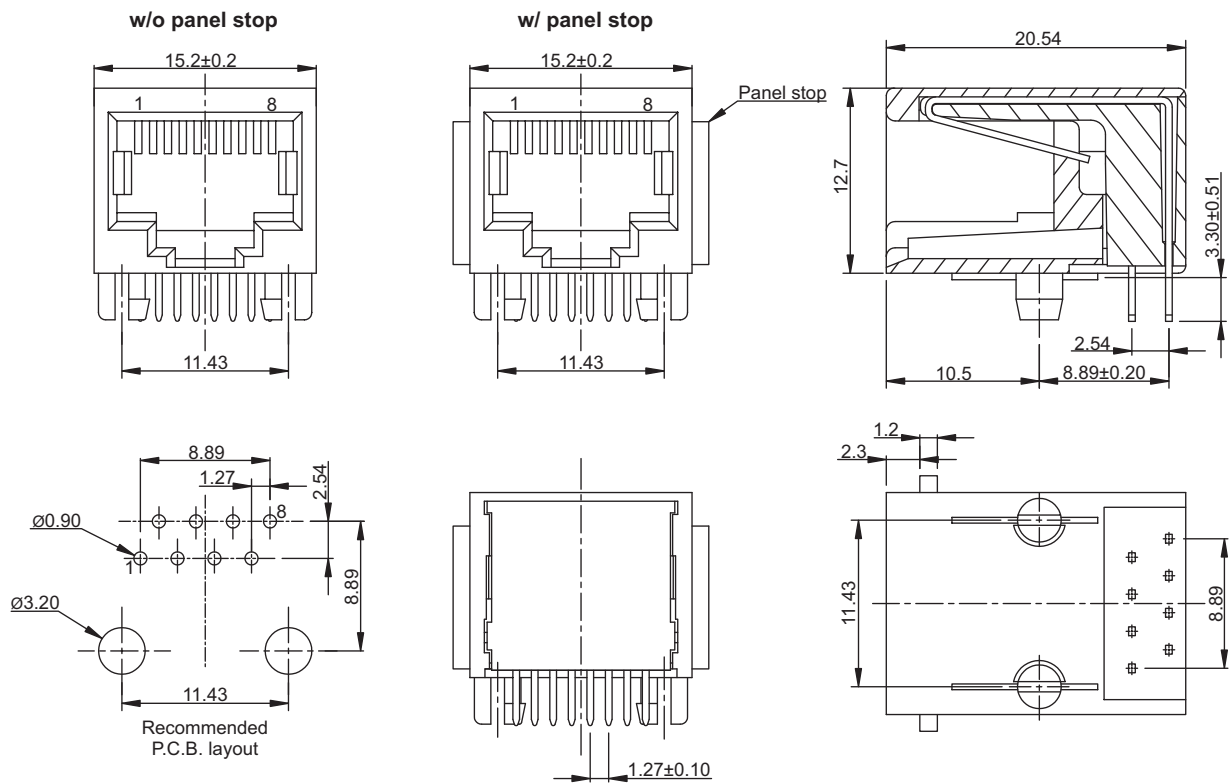
## Mating parts series



RoHS  
compliant

## Mechanical dimensions

Unit: mm



Tolerances		
Linear	X	± 0.20
	.XX	± 0.15
	.XXX	± 0.10

## Part numbering guide

65360	C	8	0
Series	Contact plating C = 3 μ" gold D = 6 μ" gold F = 15 μ" gold J = 30 μ" gold	No. of contacts 8 = 8 1 = 10	Panel stop 0 = w/o panel stop 1 = w/ panel stop

\* standard

