

49120 Series

Dual BNC Female Right Angle Metal Type

General specifications

Insulator material	Polypropylene, UL94-HB
Mounting material	Brass, plating: tin
Contact material	Phosphor bronze, plating: gold
Body material	Zinc alloy, plating: nickel
Frequency range	0 to 1 GHz
Contact resistance	3 mΩ max.
Insulator resistance	5000 MΩ min.
Dielectrical withstanding	1500 VAC for 1 min
Operating temperature	-65 °C to +165 °C
Durability	500 cycles
Soldering	Lead free wave soldering process

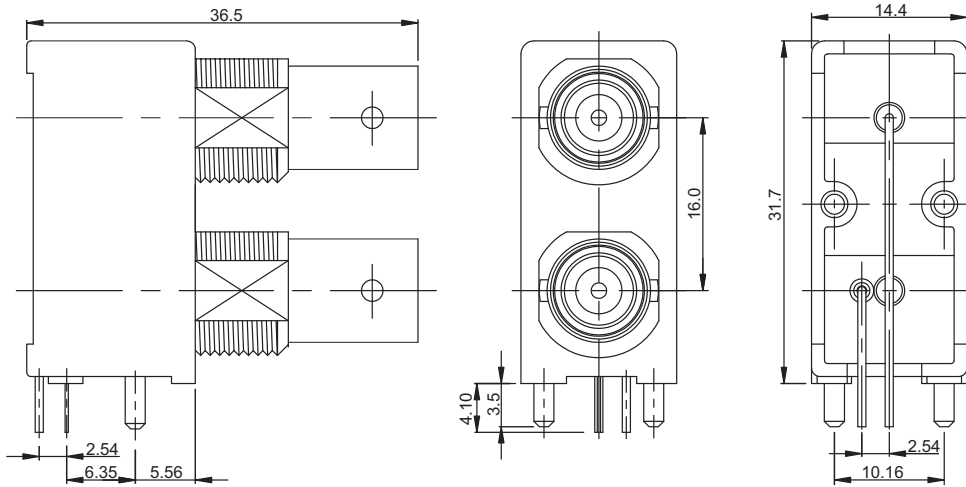


RoHS
compliant

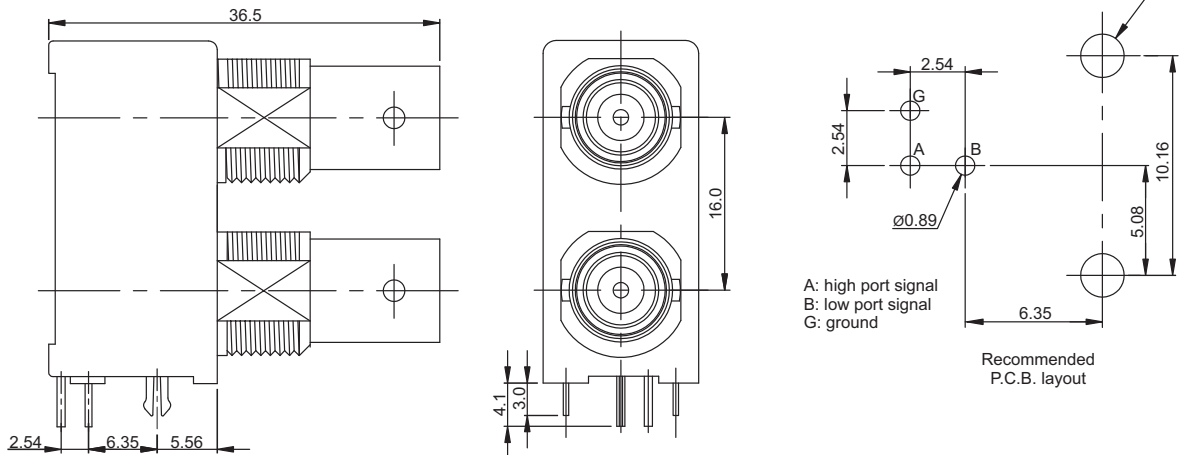
Mechanical dimensions

Unit: mm

49120P w/ post



49120K w/ hook



Tolerances

Linear	.X	± 0.30
	.XX	± 0.10

Part numbering guide

49120	K	50
Series	Mounting K = Hook P = Post	Impedance 50 = 50 Ω 75 = 75 Ω

* standard

