

General specifications

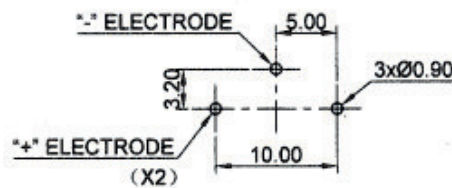
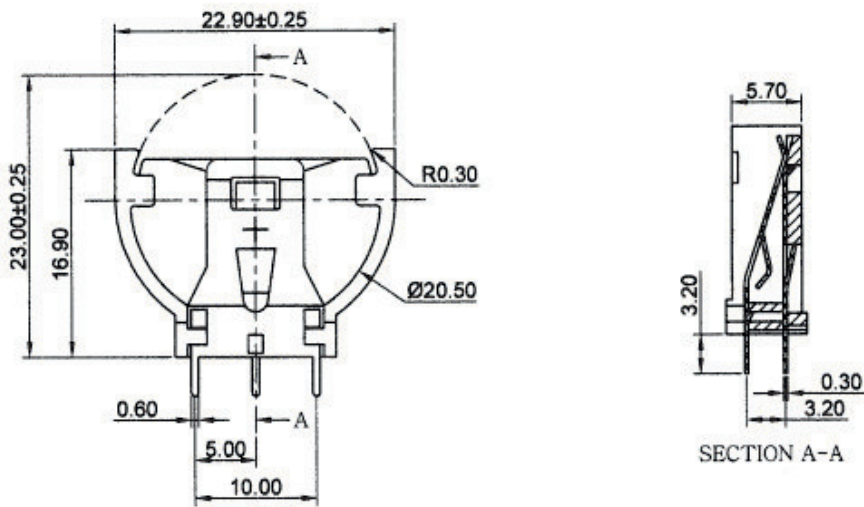
Insulator material	Nylon-66 w/ 15% glass fiber, UL94V-0
Contact material	Phosphor bronze, plating: tin over nickel
Current rating	2 A
Voltage rating	500 VAC
Contact resistance	30 mΩ max.
Insulator resistance	1000 MΩ min.
Dielectrical withstanding	500 VAC for 1 min
Operating temperature	-55 °C to +105 °C
Soldering	Lead free wave soldering process

Mating parts series



Mechanical dimensions

Unit: mm



Recommended P.C.B. layout

Tolerances

Linear	X	± 0.30
	.XX	± 0.20
	.XXX	± 0.10

Part numbering guide

5107 S

T

Series
S = Straight

Contact plating
T = Tin

* standard

