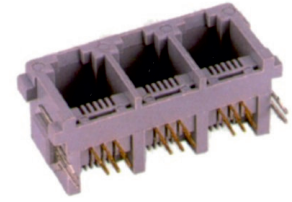


6483X Series Multiport RJ45 8P Side Entry

General specifications

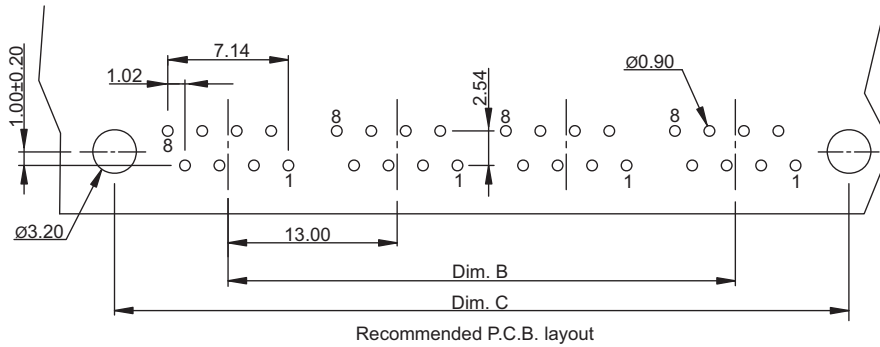
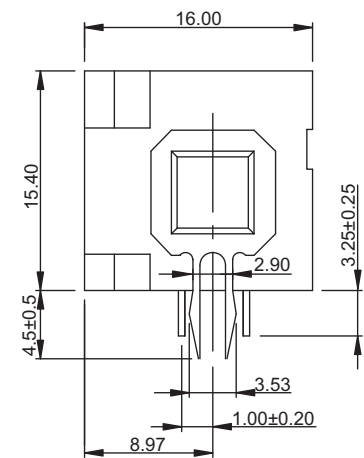
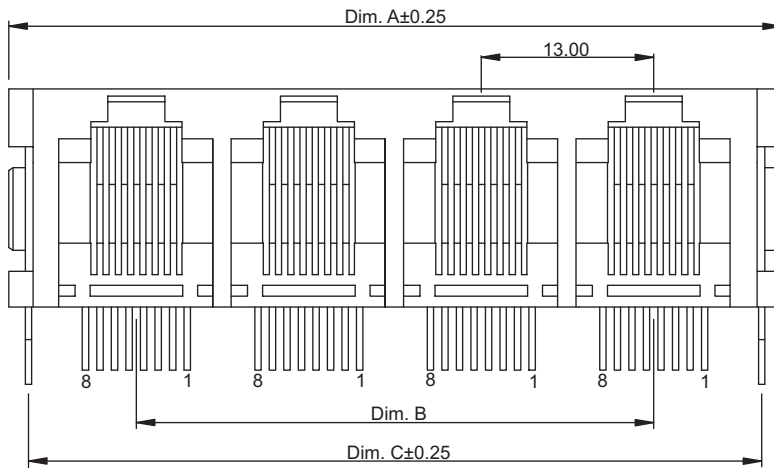
Insulator material	PBT w/ glass fiber , UL94V-0, color: grey
Contact material	Phosphor bronze
Current rating	1.0 A
Voltage rating	150 VAC
Contact resistance	50 mΩ max.
Insulator resistance	200 MΩ min.
Dielectrical withstanding	1000 VAC for 1 min
Operating temperature	-40 °C to +85 °C
Soldering	Lead free wave soldering process
Durability	750 cycles

Mating parts series



Mechanical dimensions

Unit: mm



Ports	Dim. A	Dim. B	Dim. C
1	19.28	-	16.00
2	32.28	13.00	29.00
3	45.28	26.00	42.00
4	58.28	39.00	55.00

Tolerances		
Linear	X	± 0.25
	.XX	± 0.13
	.XXX	± 0.05

Part numbering guide

6483 — A — C

Series	Ports	Contact plating
A = 1	C = 3 μ" gold	K = 50 μ" gold
B = 2	D = 6 μ" gold	
C = 3	F = 15 μ" gold	
D = 4	J = 30 μ" gold	

* standard

