

# 5118 Series

# Battery Socket for 1/2 AA 3.6 V

### General specifications

Contact material 0.3 mm steel

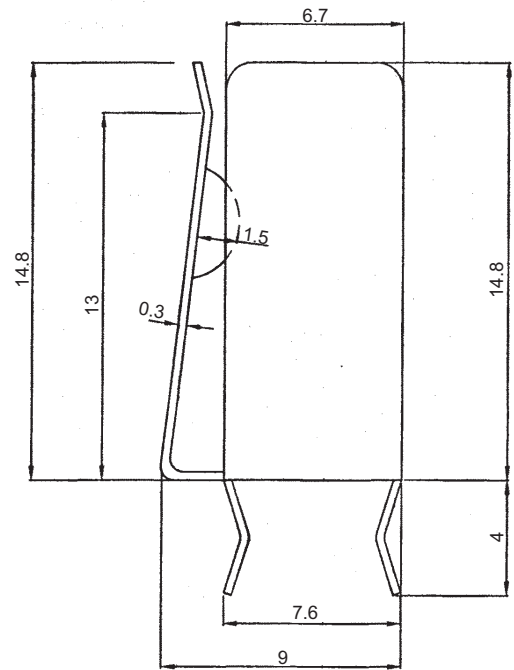
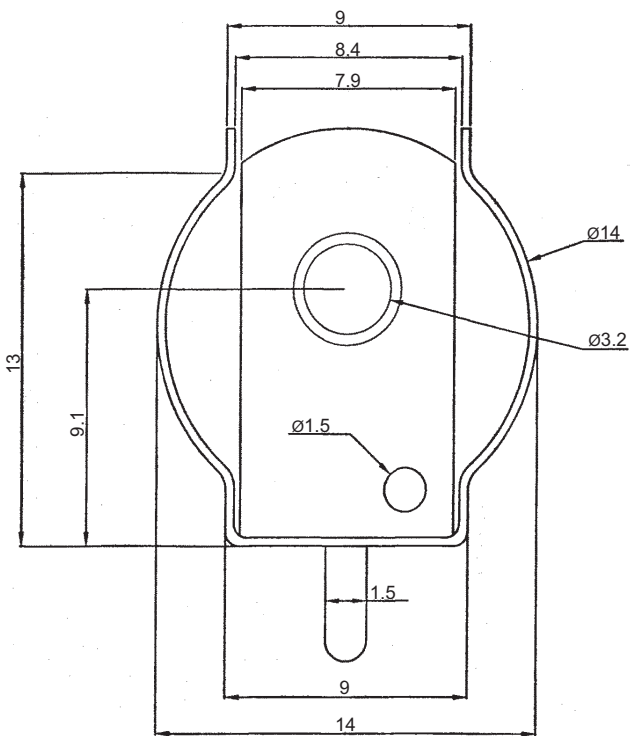
### Mating parts series



RoHS compliant

### Mechanical dimensions

Unit: mm



Tolerances		
Linear	X	± 0.30
	.XX	± 0.25
	.XXX	± 0.20

### Part numbering guide

5118 — T

Series

Contact plating

T = Tin

\* standard

