

4000 Series

SMT Mini DIN Socket Shielded

General specifications

Insulator material	Nylon PA9T w/ glass fiber, UL94V-0
Contact material	Phosphor bronze, plating: gold
Shell material	Brass, plating: tin
Current rating	2 A @ 12 VDC, 1 A @ 100 VAC
Contact resistance	30 mΩ max.
Insulator resistance	100 MΩ min.
Dielectrical withstanding	250 VAC for 1 min
Operating temperature	-25 °C to +70 °C
Soldering	JEDEC lead free reflow soldering process
Durability	100 cycles

Mating parts series

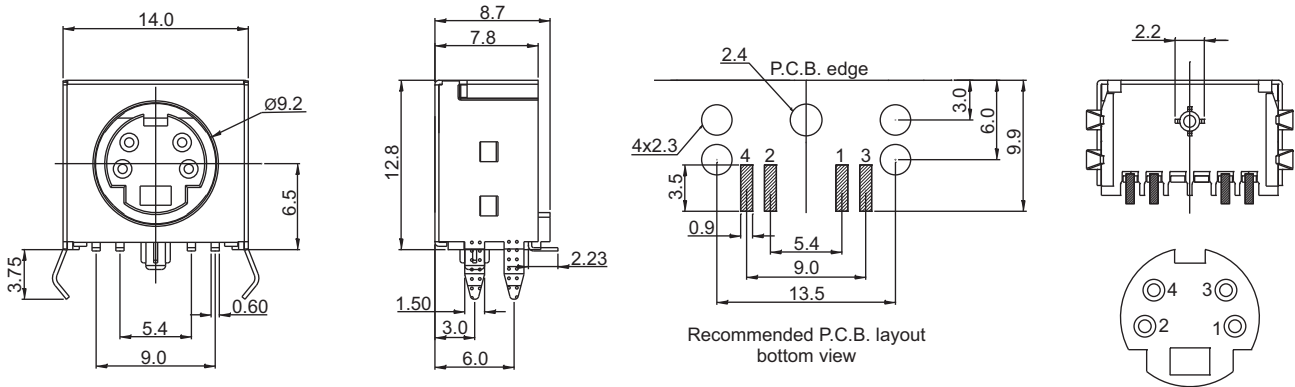


RoHS
compliant

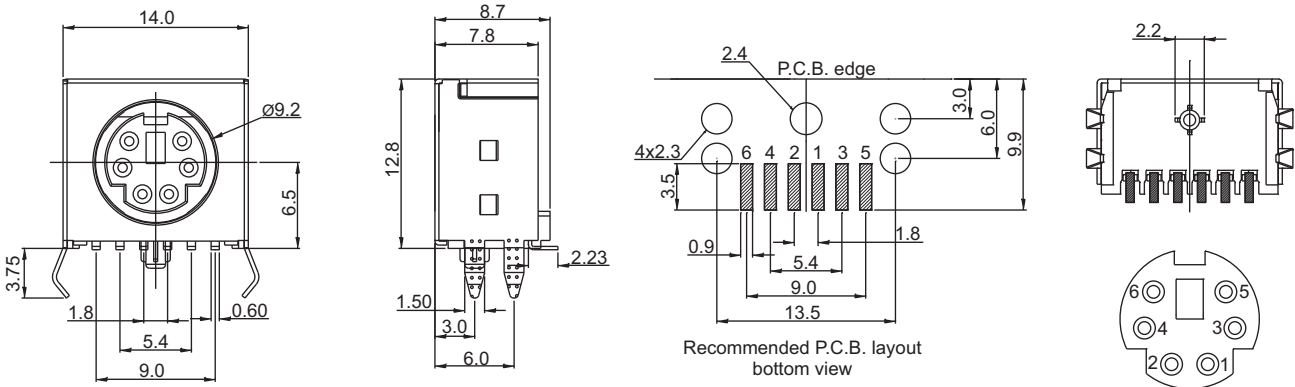
Mechanical dimensions

Unit: mm

4 contacts



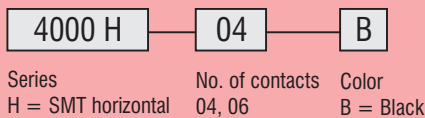
6 contacts



Tolerances

Linear	X.	± 0.38
	X	± 0.25
	XX	± 0.13
	XXX	± 0.05

Part numbering guide



* standard

