

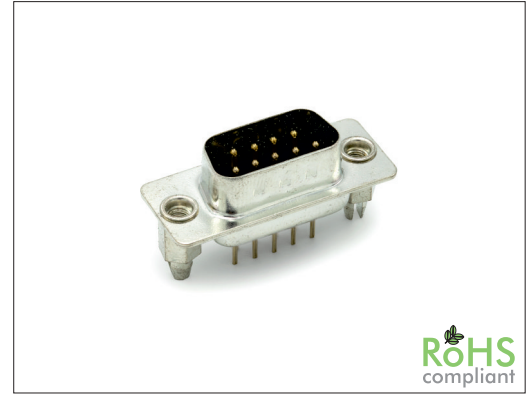
3026 Series

6.80 mm D-Sub Male Straight

General specifications

Insulator material	PBT, UL94V-0, color: black
Contact material	Copper alloy, plating: gold over nickel
Shell material	Steel, plating: nickel
Current rating	5 A
Contact resistance	30 mΩ max.
Insulator resistance	1000 MΩ min. @ 500 VDC
Dielectrical withstanding	500 VAC for 1 min
Operating temperature	-40 °C to +150 °C
Soldering	Lead free wave soldering process

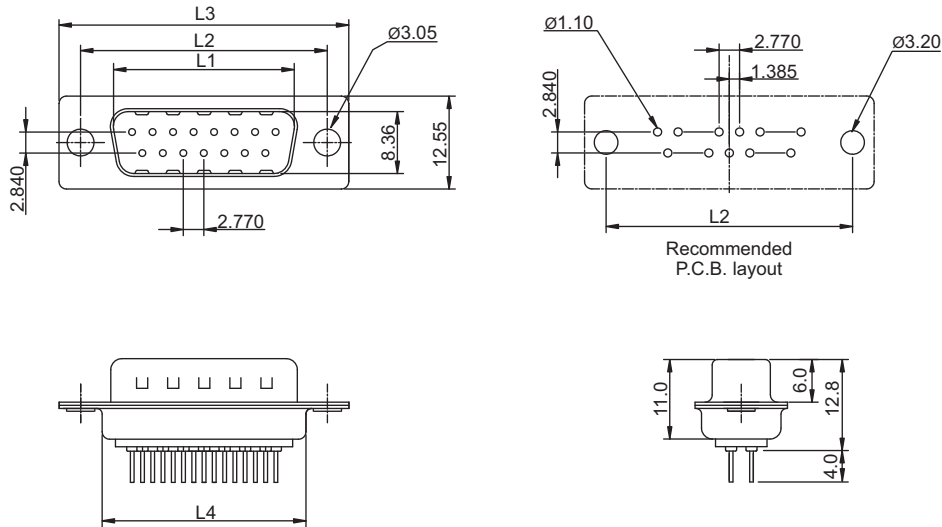
Mating parts series



RoHS
compliant

Mechanical dimensions

Unit: mm



Type 0 (w/o screws)	Type C (w/ rivited rear bolts)	Type E (w/ rivited front bolts)	Type G (w/ board-lock)	Type H (w/ board-lock and screw)

Contacts	L1	L2	L3	L4
09	16.92	24.99	30.81	19.23
15	25.25	33.32	39.14	27.56
25	38.96	47.04	53.04	41.28
37	55.42	63.50	69.32	57.33

Ordercode for screws UNC4-40 only

Ordercode	L1	L2	
3099U1	4.8	11.8	
3099U9	5.8	12.0	

Tolerances

Linear	X	± 0.30
	.XX	± 0.25
	.XXX	± 0.15

Part numbering guide

3026 M — **09** — **B** — **0**

Series
M = Male

No. of contacts
09, 15, 25, 37

Contact plating
B = Flashgold*
E = 10 μ" gold
F = 15 μ" gold
J = 30 μ" gold

Mounting type
0 = w/o screws
C = w/ rivited rear bolts 5.8 mm
E = w/ rivited front bolts 5.8 mm
G = w/ board-lock

H = w/ board-lock and mounted screws

* standard

