

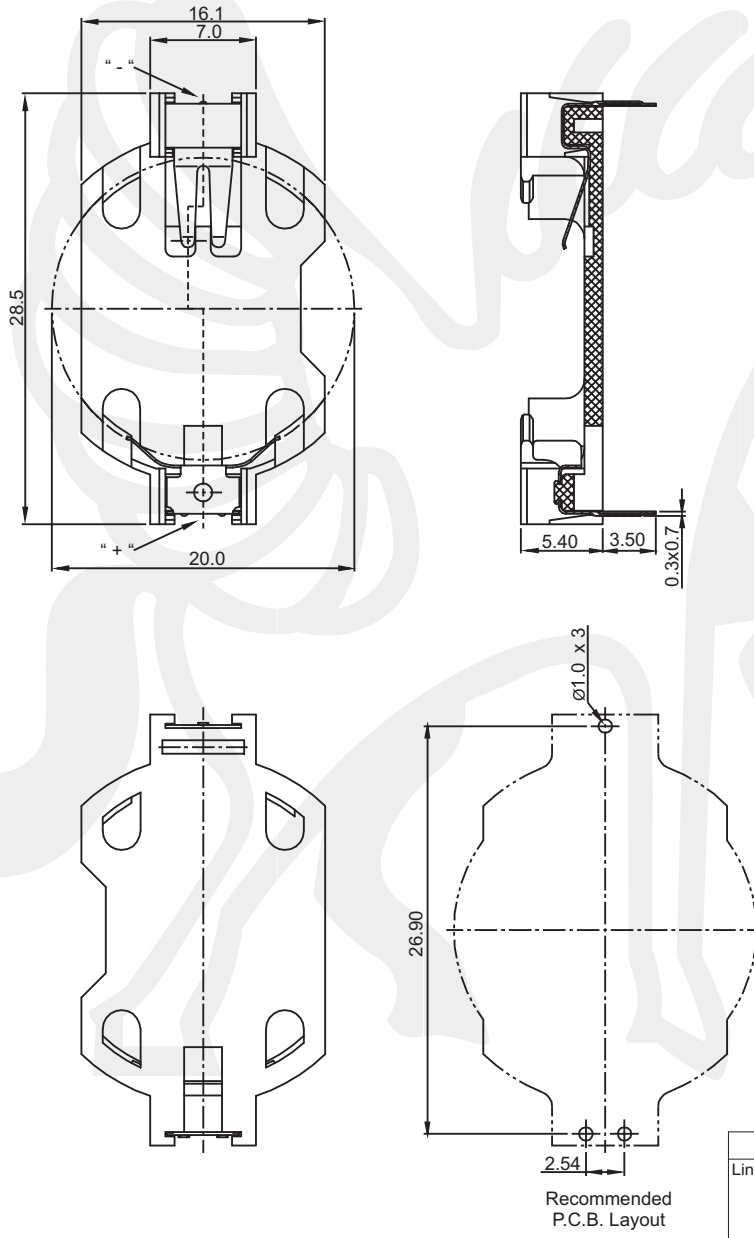
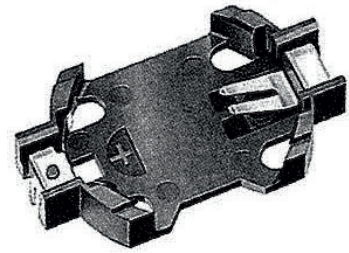
# Series 5105 Battery Holder for CR2032

## Material

Insulator: PBT, UL94V-0  
 Contact: Stainless steel  
 Plating: Tin

## Electrical

Rating: 3 V / 120 mA  
 Contact resistance: 100 mΩ max.  
 Insulator resistance: 100 MΩ min.  
 Dielectric withstanding: 500 VDC/minute  
 Operating temperature: -55°C ~ +85°C  
 Durability: 50 cycles



All dim. in mm

5105P

T

Contact plating  
 T = tin



This document is protected by copyright law and international treaties. Reproduction except for personal use and distribution of this document will be prosecuted to the maximum extent possible under the law. Subject to changes without prior notice. Errors and omissions excepted. Copyright by NEXUS COMPONENTS GmbH