

# 49051 Series SSMB Jack Right Angle

## General specifications

Insulator material	Teflon
Body material	Brass, plating: 3 $\mu$ " gold
Center contact material	Brass, plating: 30 $\mu$ " gold
Crimp ferrules	Annealed brass, plating: 3 $\mu$ " gold
Contact / insulator resistance	Center: 5 m $\Omega$ max., outer: 2.5 m $\Omega$ max. / 1000 M $\Omega$ min.
Dielectrical withstanding	500 VAC for 1 min.
Impedance / Frequency range	50 $\Omega$ / 0 to 4 GHz
VSWR	1.3 + 0.03 F (GHz) max.
Operating temperature	-65 °C to +165 °C
Durability	500 cycles

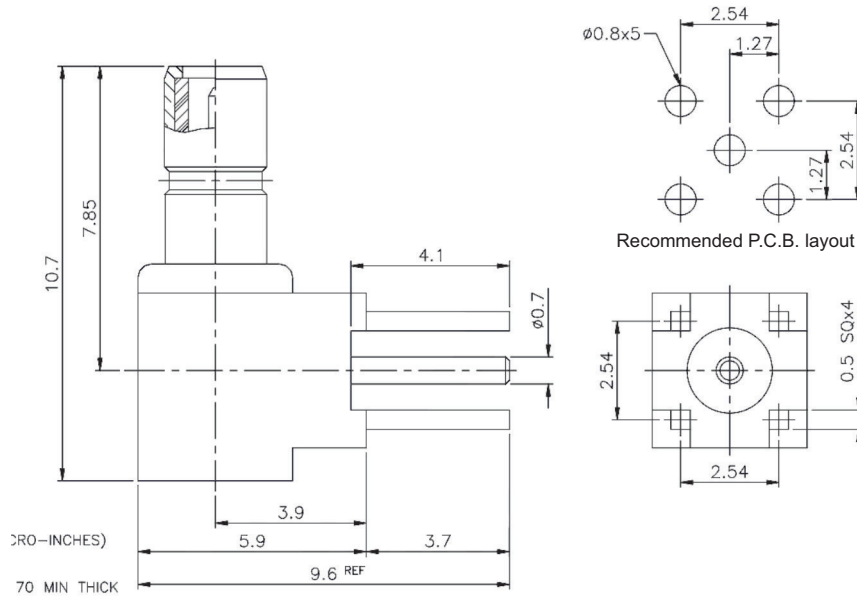
## Mating parts series



RoHS  
compliant

## Mechanical dimensions

Unit: mm



Tolerances		
Linear	< 6	± 0.20
	6 to 30	± 0.40
	> 30	± 0.60

## Part numbering guide

49051

Series

\* standard

