

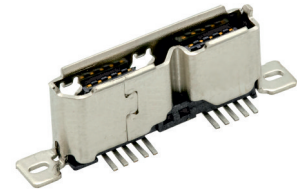
# 3805 Series

# Micro USB 3.0 B-Type SMT Socket

## General specifications

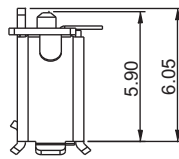
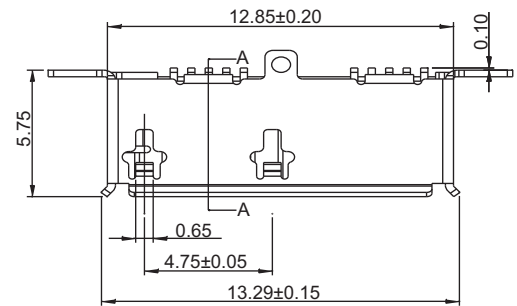
Insulator material	High tempered plastic, UL94V-0
Contact material	Copper alloy, plating: gold
Shell material	Stainless steel
Current rating	1.8 A at #1 (Vbus), 0.25 A at all other pin
Contact resistance	30 mΩ max. at Vbus, 50 mΩ max. at all other pin
Insulator resistance	100 MΩ min.
Dielectrical withstanding	100 VAC for 1 min
Operating temperature	-55 °C to +85 °C
Durability	10000 cycles
Soldering	JEDEC lead free reflow soldering process

## Mating parts series

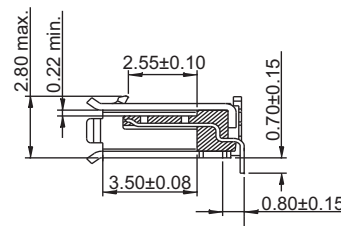
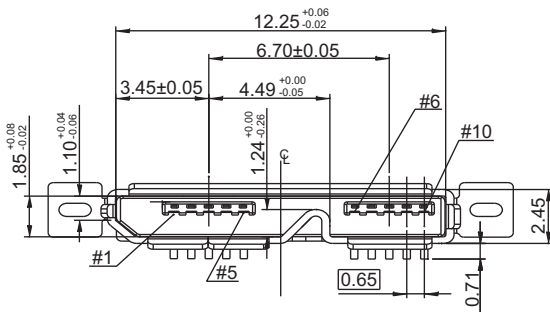


## Mechanical dimensions

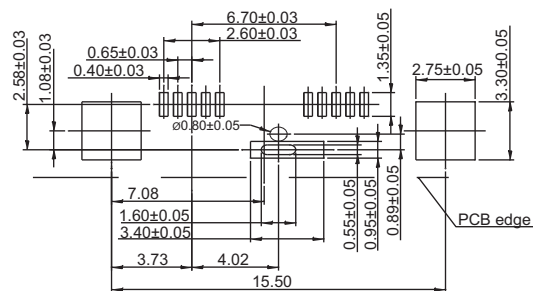
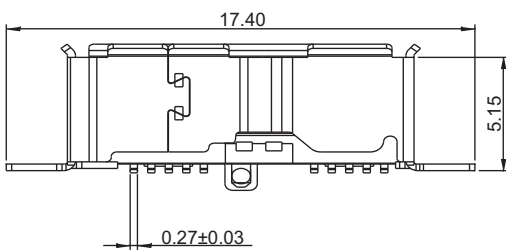
Unit: mm



Pin number	Signal name
1	VBUS
2	D-
3	D+
4	ID
5	GND
6	MicB_SSTX-
7	MicB_SSTX+
8	GND_DRAIN
9	MicB_SSRX-
10	MicB_SSRX+
Shell	Shield



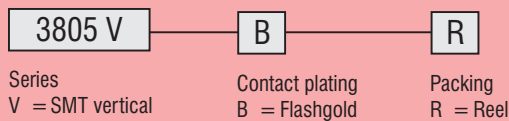
Section A-A



Recommended P.C.B. layout

Tolerances		
Linear	X	± 0.38
	.XX	± 0.25

## Part numbering guide



\* standard

