

1236 Series

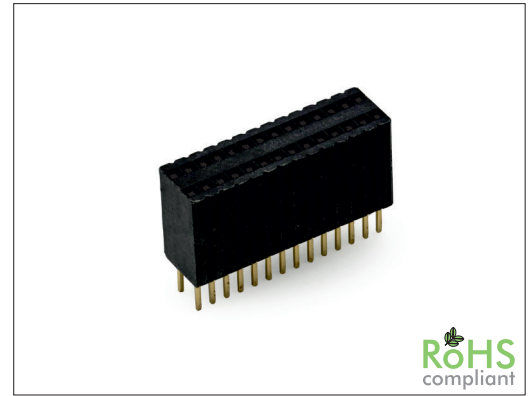
1.27 x 2.54 mm Female Header Dual Row

General specifications

Insulator material	Nylon-6T, UL94V-0, color: black
Contact material	Phosphor bronze
Current rating	1 A
Contact resistance	20 mΩ max.
Insulator resistance	1000 MΩ min.
Dielectrical withstanding	500 VAC for 1 min
Operating temperature	-40 °C to +105 °C
Soldering	Lead free wave soldering process

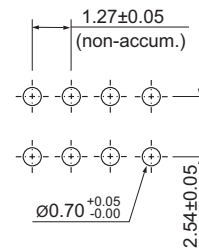
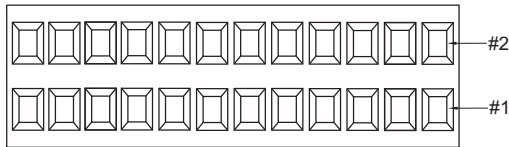
Mating parts series

1204, 1212, 1254, 1260

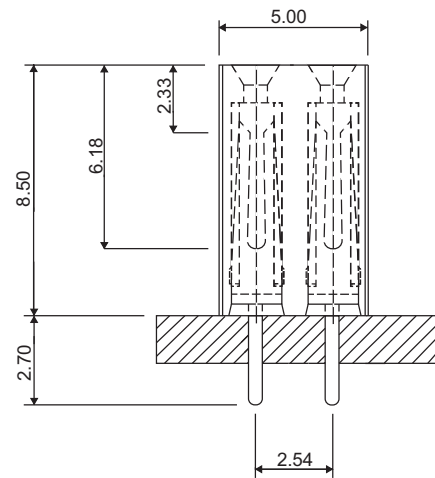
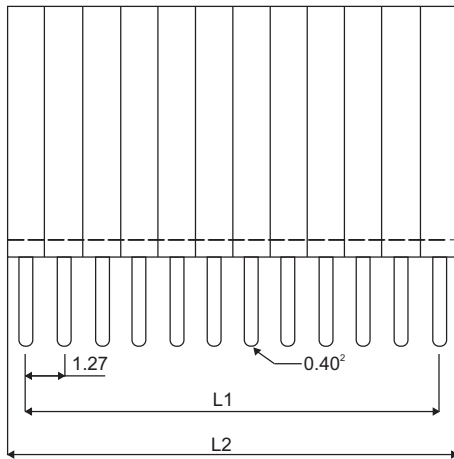


Mechanical dimensions

Unit: mm



Recommended P.C.B. layout



$$L1 = \left(\frac{\text{No. of contacts}}{2} - 1 \right) \times 1.27$$

$$L2 = \left(\frac{\text{No. of contacts}}{2} \right) \times 1.27$$

Tolerances	
Linear	X ± 0.38
	.XX ± 0.25

Part numbering guide

1236 S — 04 — B

Series
S = THT straight

No. of contacts
04 to 100

Contact plating
B = Flashgold
E = 10 μ" gold
F = 15 μ" gold
J = 30 μ" gold

* standard

