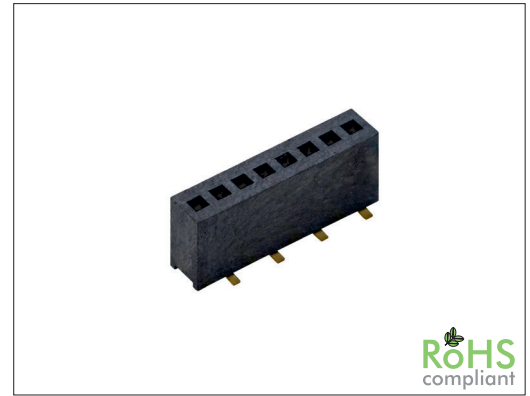


1180 Series

1.27 x 1.27 mm SMT Female Header Dual Entry

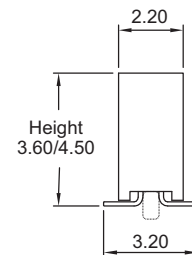
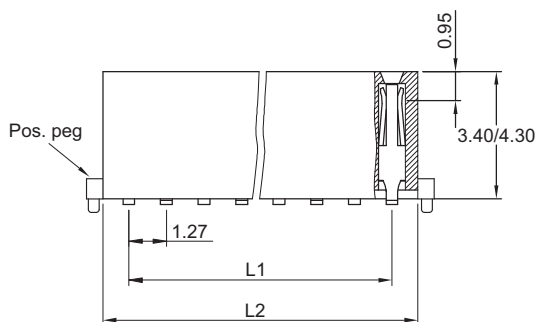
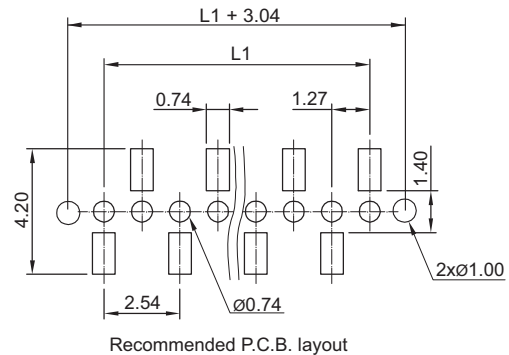
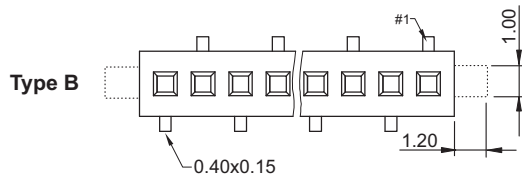
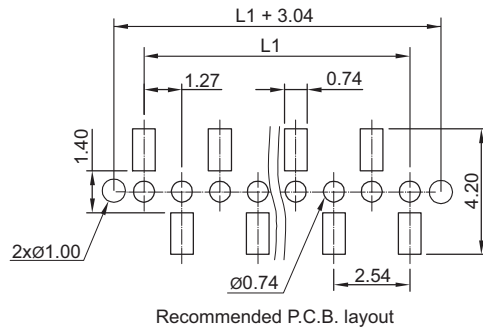
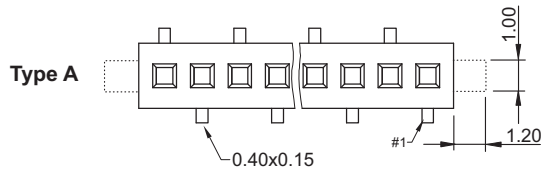
General specifications

Insulator material	Nylon-9T, UL94V-0, color: black
Contact material	Phosphor bronze
Current rating	1 A
Contact resistance	20 mΩ max.
Insulator resistance	1000 MΩ min.
Dielectrical withstanding	500 VAC for 1 min
Operating temperature	-40 °C to +105 °C
Soldering	JEDEC lead free reflow soldering process
Mating parts series	
1100, 1111, 1150, 1151, 1161	



Mechanical dimensions

Unit: mm



$$L1 = (\text{No. of contacts} - 1) \times 1.27$$

$$L2 = \text{No. of contacts} \times 1.27 + 0.43$$

Tolerances	
Linear	X ± 0.38
	.XX ± 0.25

Part numbering guide

1180 V	03	B	0	A	R
Series V = SMT vertical	No. of contacts 03 to 50	Contact plating B = Flashgold E = 10 μ ^m gold F = 15 μ ^m gold J = 30 μ ^m gold	Height and position peg 0 = 3.60 mm w/o pos. peg 2 = 4.50 mm w/o pos. peg 3 = 4.50 mm w/ pos. peg	Position #1 A = Bottom right B = Top right	Packing with pick & place pad R = Reel T = Tube

* standard

