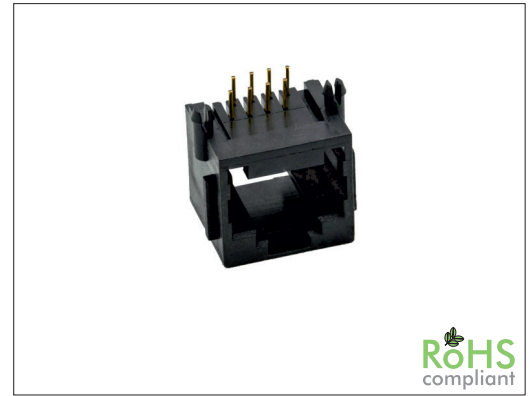


64300 Series RJ45 8P Side Entry

General specifications

Insulator material	Polyester w/ glass fiber, UL94V-0, color: black
Contact material	Phosphor bronze
Current rating	1.5 A
Voltage rating	125 VAC
Contact resistance	30 mΩ max.
Insulator resistance	500 MΩ min.
Dielectrical withstanding	1000 VAC for 1 min
Operating temperature	-40 °C to +85 °C
Soldering	Lead free wave soldering process
Durability	750 cycles

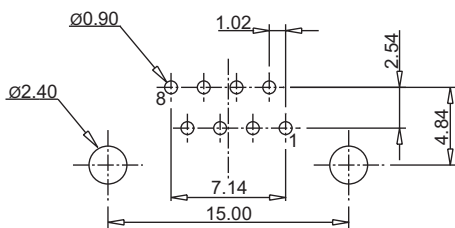
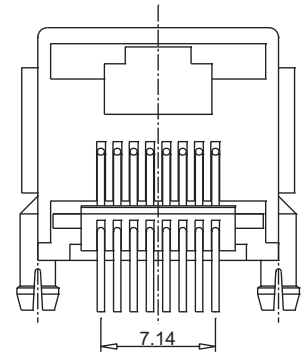
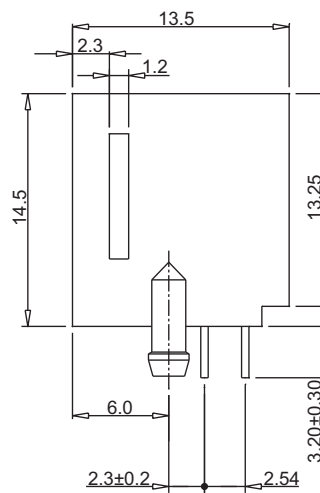
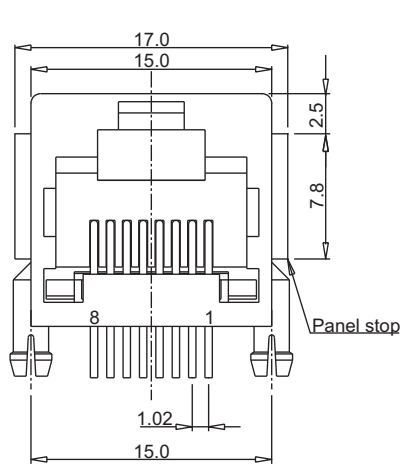
Mating parts series



RoHS
compliant

Mechanical dimensions

Unit: mm



Recommended
P.C.B. layout

Tolerances

Linear	X	± 0.25
	.XX	± 0.20
	.XXX	± 0.15

Part numbering guide

64300 — C — 0

Series

Contact plating

C = 3 μ^g gold K = 50 μ^g gold

D = 6 μ^g gold

F = 15 μ^g gold

J = 30 μ^g gold

Panel stop

0 = w/o panel stop

1 = w/ panel stop

* standard

