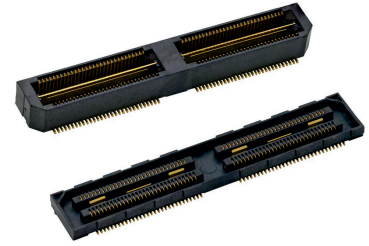


General specifications

Insulator material	LCP, UL94V-0
Contact material	Copper alloy
Current rating	Contact: 1 A, Ground plane: 7.8 A
Voltage rating	125 VAC
Operating temperature	-55 °C to +125 °C
Durability	100 cycles
Soldering	JEDEC lead free reflow soldering process

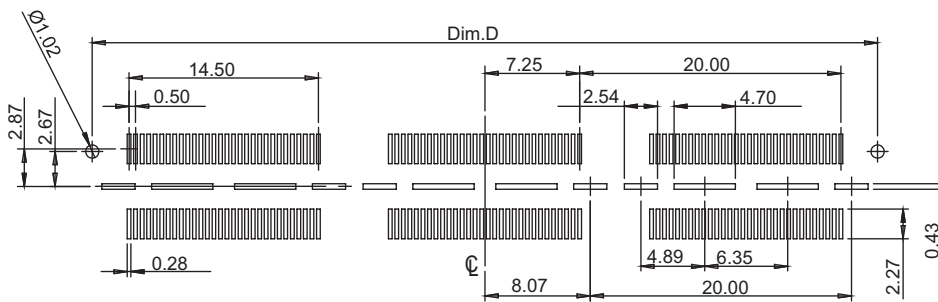
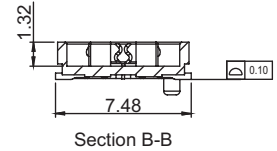
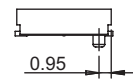
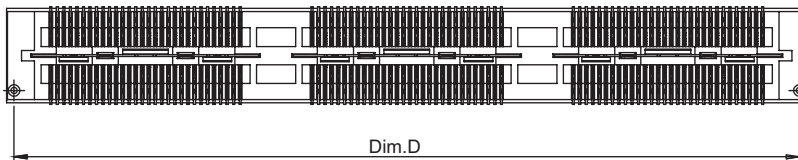
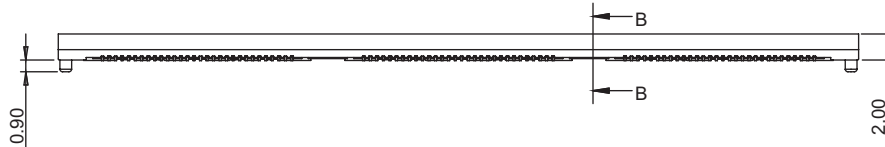
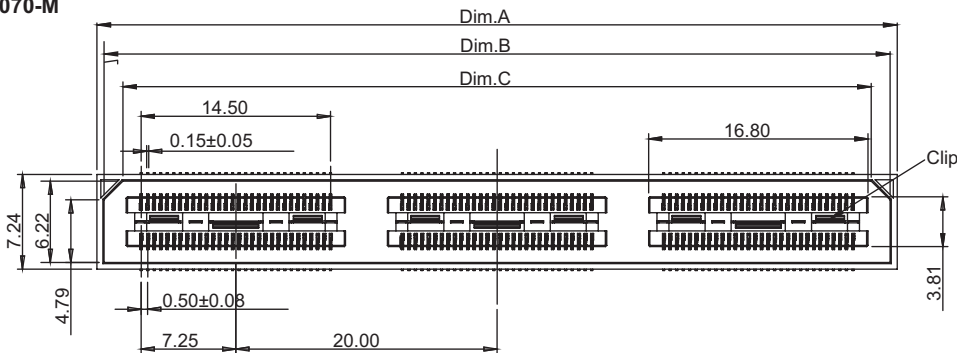
Mating parts series



Mechanical dimensions

Unit: mm

1070-M



Dimensions for 1070-F	120 pin	180 pin
Dim.A	41.27	61.27
Dim.B	40.17	60.17
Dim.C	37.17	57.17
Dim.D	40.13	60.13

Recommended P.C.B. layout, tolerances: ±0.03

Tolerances		
Linear	X	± 0.30
	X	± 0.20
	XX	± 0.12

continued on page 2

Part numbering guide

1070 F	120	D	R
Series F = Female M = Male	No. of contacts 120, 180	Contact plating D = 6 μ" gold	Packing R = Reel

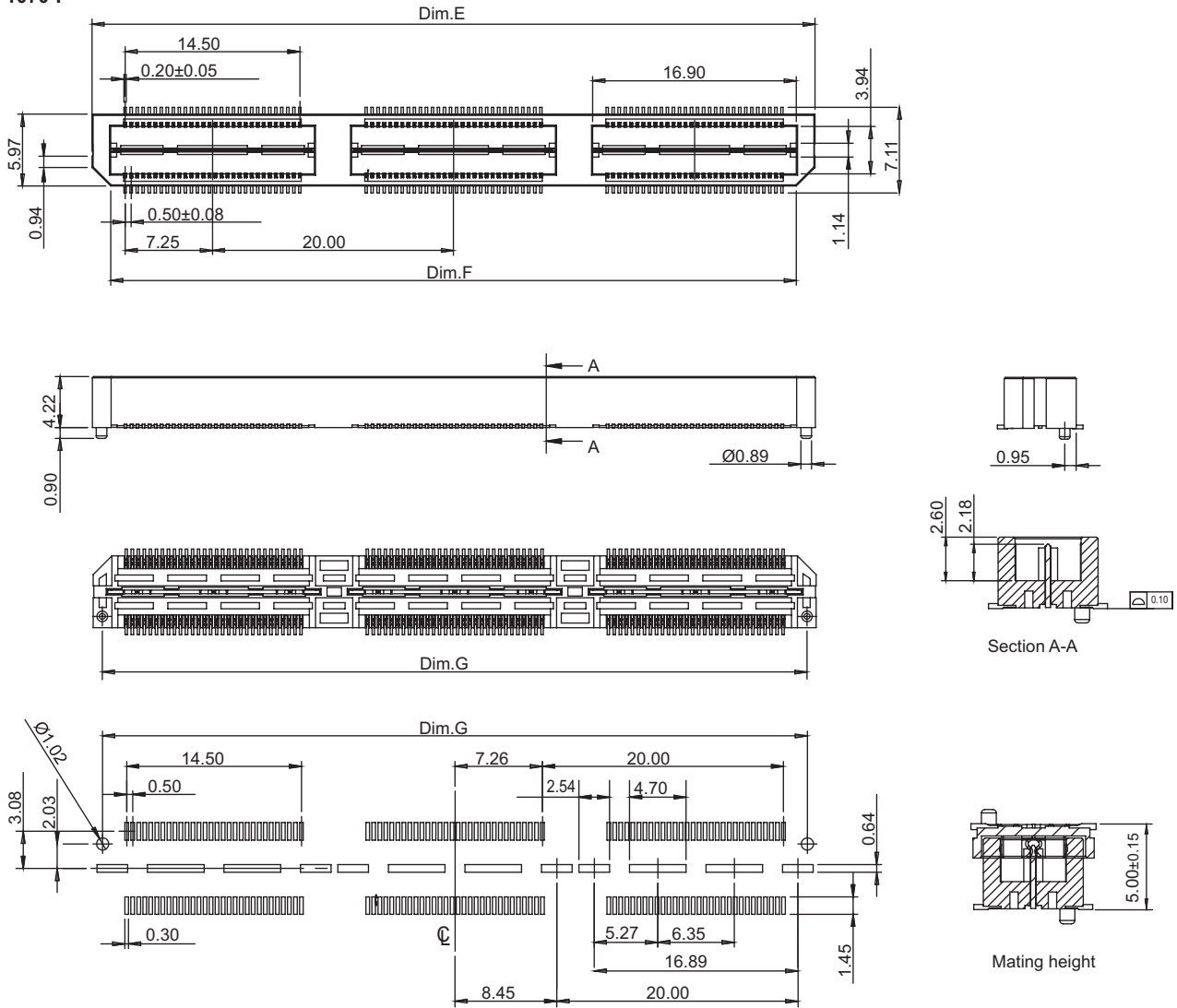
* standard



Mechanical dimensions

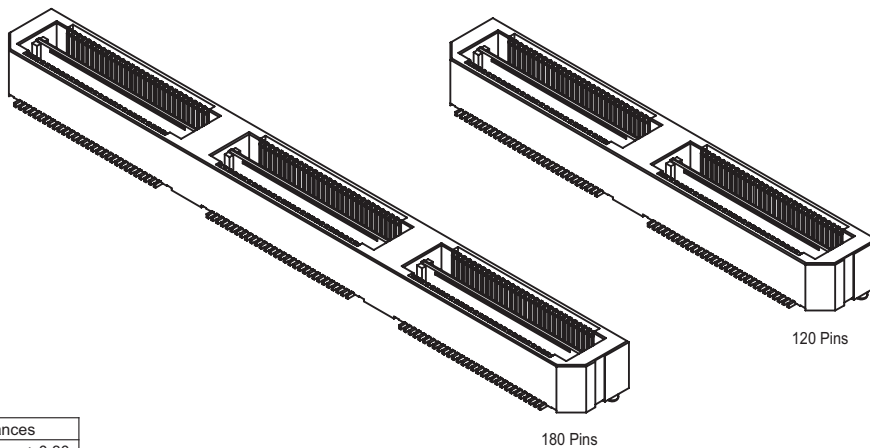
Unit: mm

1070-F



Recommended P.C.B. layout tolerances: ±0.03

Dimensions for 1070-M	120 pin	180 pin
Dim.E	40.00	60.00
Dim.F	36.90	56.90
Dim.G	38.48	58.48



Tolerances	
Linear	X ± 0.30
	.X ± 0.20
	.XX ± 0.12

