

SW-DTSYHL Series Tactile Microswitch 6 x 6 mm

General specifications

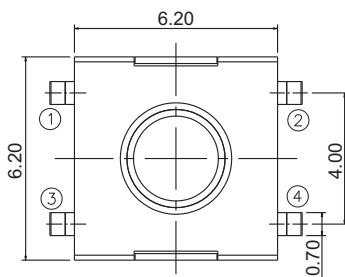
Housing material	Nylon, UL94V-0, color: black
Actuator material	Nylon, UL94V-0
Contact material	Phosphor bronze, plating: silver
Current rating	50 mA
Voltage rating	12 VDC
Contact resistance	100 mΩ max.
Insulator resistance	100 MΩ min. @ 500 VDC
Dielectrical withstanding	250 VAC for 1 min
Operating temperature	-25 °C to +70 °C
Operating force	see table
Durability	see table
Soldering	Lead free wave soldering process



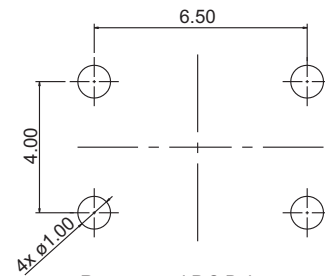
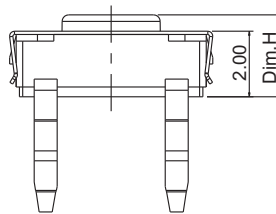
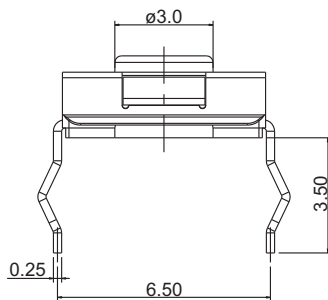
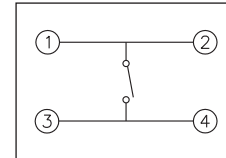
RoHS
compliant

Mechanical dimensions

Unit: mm



Circuit



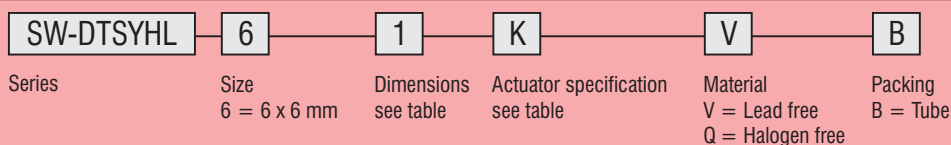
Recommend P.C.B. layout

Ordercode	
Index	Dim.H
1	2.50
2	3.10
3	3.50

Actuator specification				
Code	Color	Operating force	Stroke	Durability
K	Black	100±50 gf	0.25	1000000 cycles
N	Brown	160±50 gf	0.25	1000000 cycles
R	Red	260±50 gf	0.25	100000 cycles

Tolerances	
Linear	± 0.20

Part numbering guide



* standard

