

# 62710 Series Dual RJ12 Side Entry

## General specifications

Insulator material	PA46 w/ glass fiber, UL94V-0, color: black
Contact material	Phosphor bronze
Current rating	1 A
Voltage rating	150 VAC
Contact resistance	50 mΩ max.
Insulator resistance	200 MΩ min.
Dielectrical withstanding	1000 VAC for 1 min
Operating temperature	-40 °C to +85 °C
Soldering	Lead free wave soldering process
Durability	750 cycles

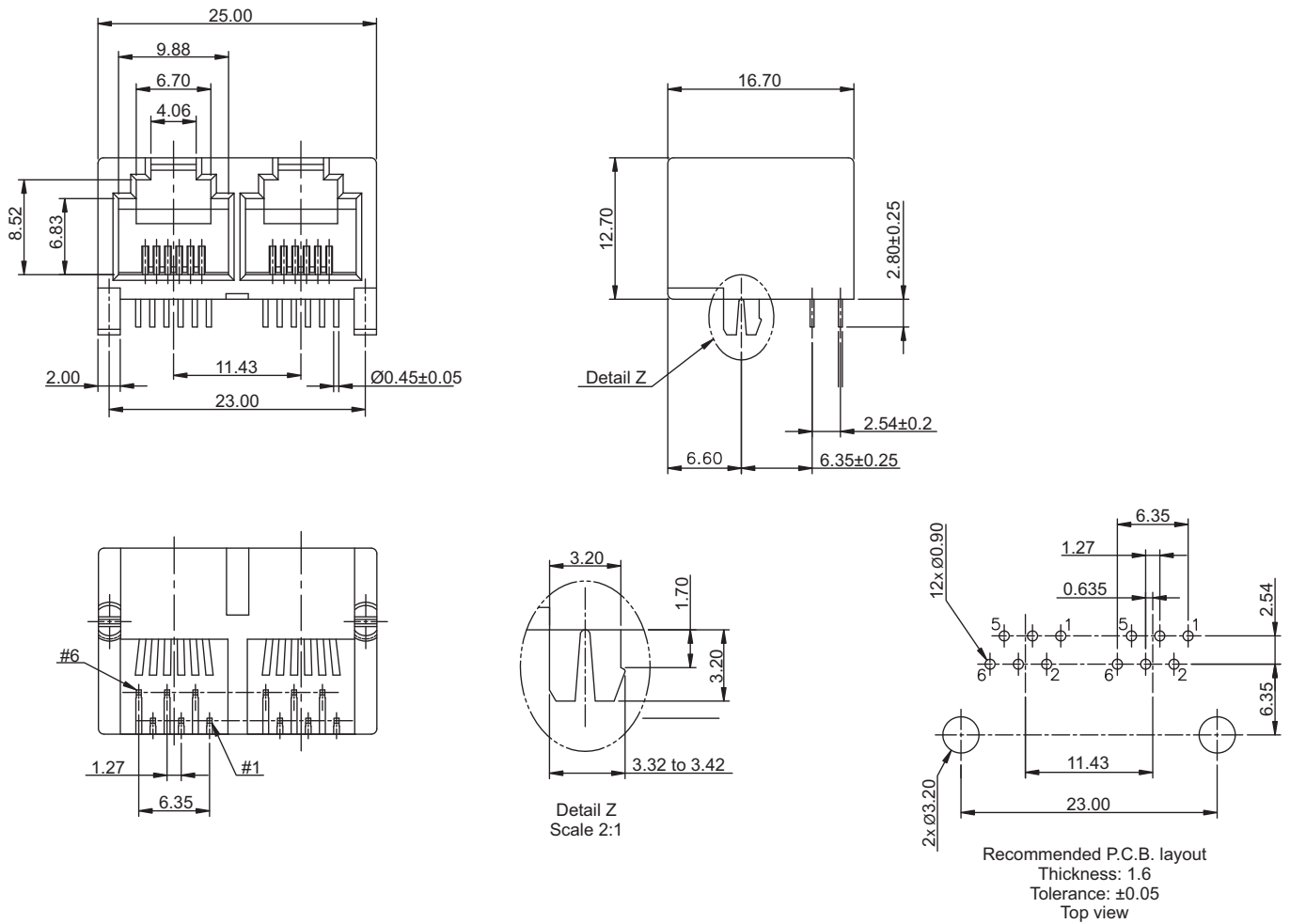
## Mating parts series



RoHS  
compliant

## Mechanical dimensions

Unit: mm



Tolerances		
Linear	X	± 0.25
	.XX	± 0.13
	.XXX	± 0.05

## Part numbering guide

<b>62710</b>	<b>C</b>	<b>6</b>
Series	Contact plating C = 3 μ" gold    K = 50 μ" gold D = 6 μ" gold F = 15 μ" gold J = 30 μ" gold	No. of contacts 6

\* standard

