

# Series 5104

## SMT Battery Holder for CR2032

### Material

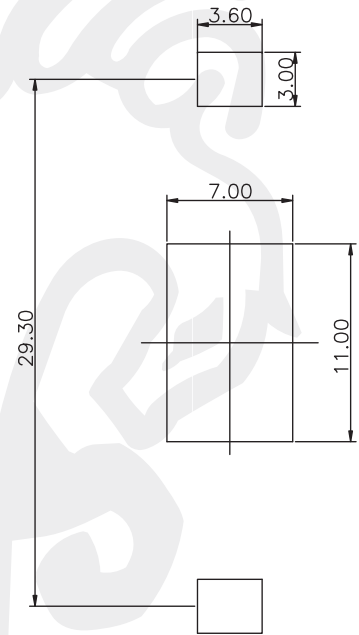
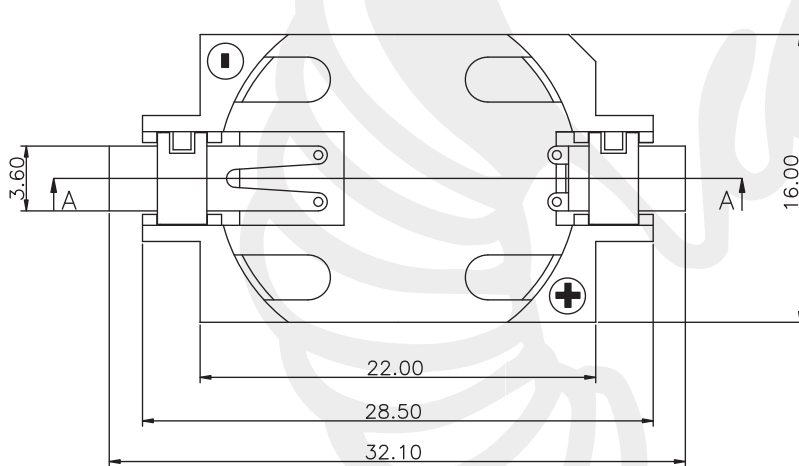
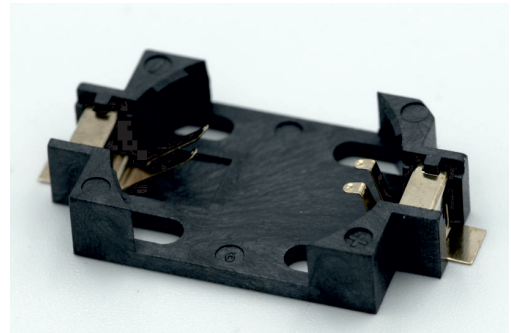
Insulator: LCP, UL94V-0  
 Contact: Copper Alloy  
 Plating: flashgold

### Electrical

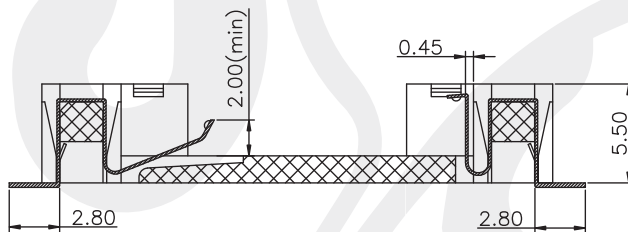
Rating: 2 Amp, 500 VAC  
 Contact resistance: 30 mΩ max.  
 Insulator resistance: 1000 MΩ min.  
 Dielectric withstanding: 500 VDC/minute  
 Operating temperature: -55°C ~ +105°C

### Soldering

JEDEC lead free reflow soldering process



Recommended P.C.B. Layout  
Top View



Section A-A

| Tolerances |             |
|------------|-------------|
| Linear     | .X ± 0.25   |
|            | .XX ± 0.20  |
|            | .XXX ± 0.20 |



All dim. in mm

**5104** — **B**

Contact plating  
B = flashgold

Packing  
Reel