

# 49185 Series Adapter BNC Plug to F Plug

## General specifications

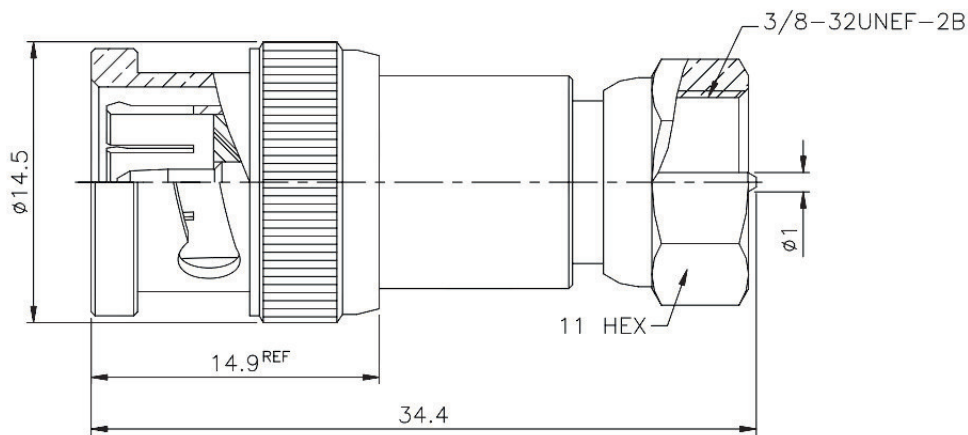
Insulator material	Teflon, Delrin
Body material	Brass, plating: nickel
Center contact material	Brass, plating: 3 $\mu$ " gold
Contact resistance	Center: 8 m $\Omega$ max., outer: 5 m $\Omega$ max.
Insulator resistance	1000 M $\Omega$ min.
Impedance	75 $\Omega$
Frequency range	0 to 1 GHz
Operating temperature	-55 °C to +105 °C
Durability	500 cycles



RoHS  
compliant

## Mechanical dimensions

Unit: mm



Tolerances		
Linear	< 6	$\pm 0.20$
	6 to 30	$\pm 0.40$
	> 30	$\pm 0.60$

## Part numbering guide

49185

Series

\* standard

