

Series 43386 3x RCA Jack / Cinch Top Entry

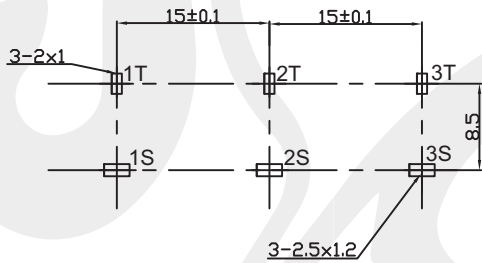
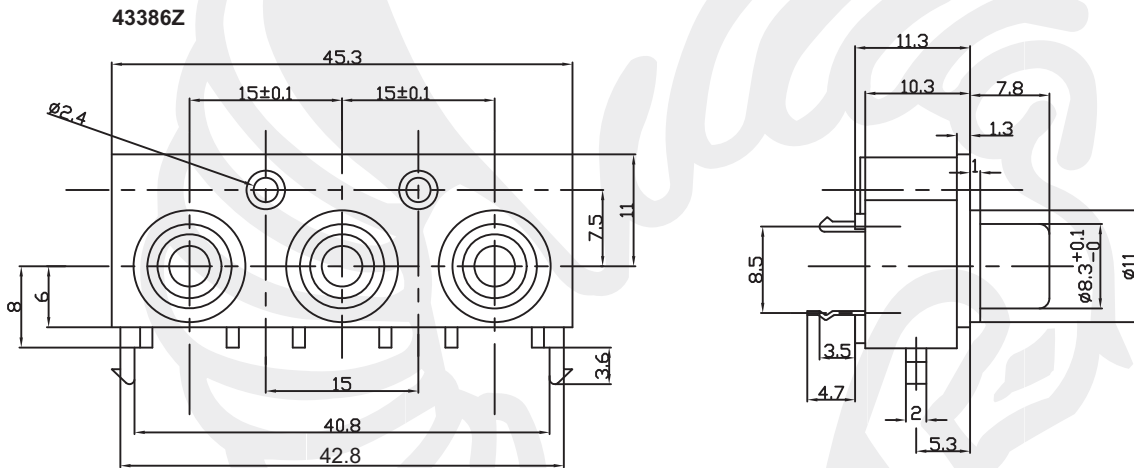
Material

Base, insulator: ABS
 Color washer: PBT + 15% glass fiber
 Contact: Brass

43386Z

Electrical

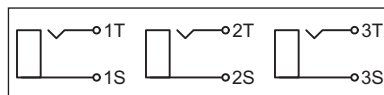
Rating: 0.2 Amp @ 50 VDC
 Contact resistance: 30 mΩ max.
 Insulator resistance: 100 MΩ min.
 Dielectrical withstanding: 500 VAC/minute
 Operating temperature: -40°C ~ +70°C
 Durability: 500 cycles



Recommended P.C.B. Layout

Code	A	B	C
01	white	red	yellow
02	yellow	white	red
03	white	red	orange
04	orange	white	red
05	red	blue	green
06	yellow	blue	green
07	yellow	red	white
08	black	red	white
09	t.b.d. by customer		

Color layout



Tolerances	
Linear	<6 ± 0.1
	6-20 ± 0.2
	>20 ± 0.3



All dim. in mm

43386 Z — **01**

Series
43386Z

Color code
see table

Packing
Box