

2205 Series

2.00 mm PA SMT Pin Header w/ Lock

General specifications

Insulator material	PA9T, UL94V-0, color: natural
Contact material	Brass
Current rating	2 A
Voltage rating	100 V AC/DC
Contact resistance	10 mΩ max.
Insulator resistance	1000 MΩ min.
Dielectrical withstanding	800 VAC for 1 min
Operating temperature	-25 °C to +85 °C
Soldering	JEDEC lead free reflow soldering process

Mating parts series

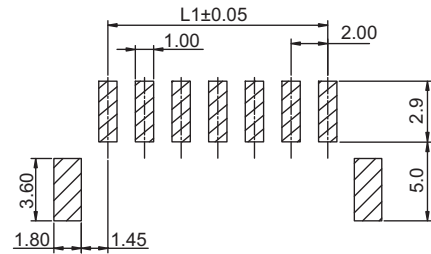
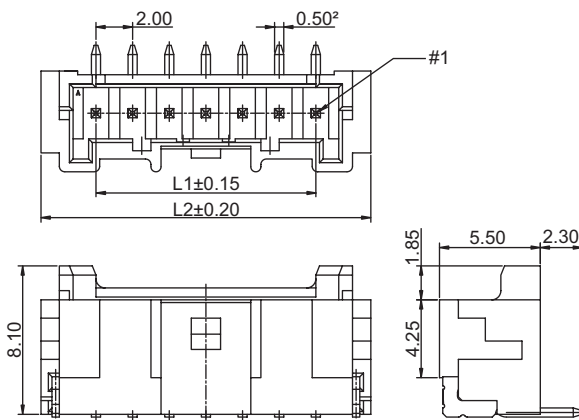
2205-PT or cable assembly



Mechanical dimensions

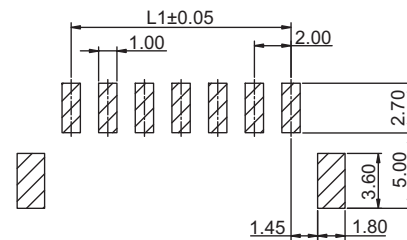
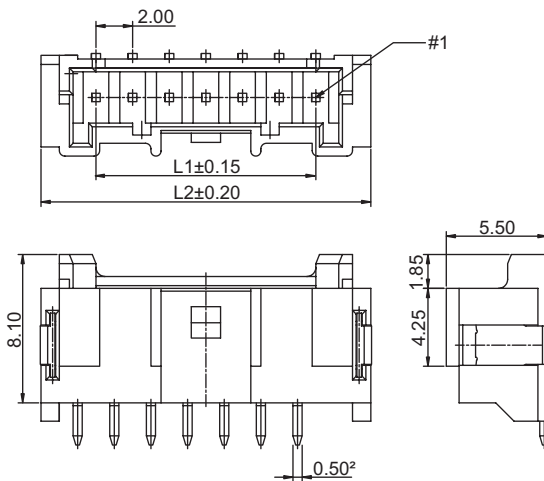
Unit: mm

2205V



Recommended P.C.B. layout

2205H



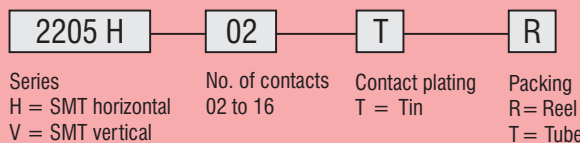
Recommended P.C.B. layout

L1 = No. of contacts x 2.00 - 2.00
L2 = No. of contacts x 2.00 + 4.00

Tolerances

Linear	X	± 0.25
	.XX	± 0.12
	.XXX	± 0.08

Part numbering guide



* standard

