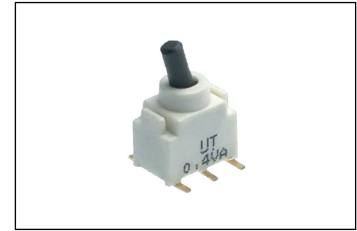


Specifications	
Contact rating	0.4 VA max. @ 28 V AC / DC
Durability	10000 cycles at full load
Contact resistance	100 mΩ max. initial @ 3 VDC, 100 mA
Insulator resistance	500 MΩ min.
Dielectrical withstanding	250 VAC
Operation temperature	-20 °C to +85 °C
Materials	
Case and frame	Nylon 4/6
Actuator	Nylon
Terminal	Copper alloy, plating: see order code
Contact	Copper alloy, plating: silver
Loop sealing	Rubber

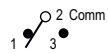
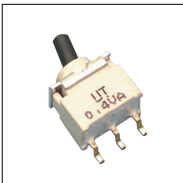


Part numbering guide

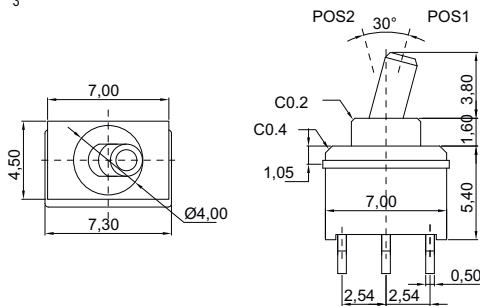
S **W** - **U** **T** - **4** - **T** **2** **C** **K** - **2** - **—** - **H**

Switch Function		Actuator		Termination		Contact Plating		Actuator Color		Case Color	
UT-4	SP on-none-on	T2	3.80	M	SMT	K	gold / tin (std.)	1	white	1	white (std.)
UT-4A	SP on-off-on			M1	SMT	R	gold	2	black	2	black
											RoHS Code
											H = RoHS Compliant

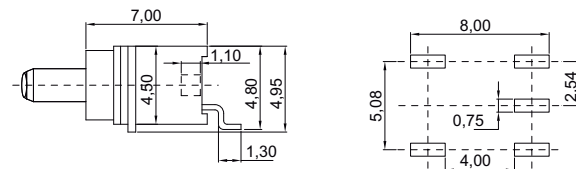
SPDT



Model No.	Switching position		
UT-4	ON	none	ON
UT-4A	ON	OFF	ON
Term. Comm.	2-3	open	2-1



SW-UT-4-T2MK-2



Recommended P.C.B. layout

