

# CA0005 Series Flatcable w/ 2x 1.27 x 2.54 mm IDC Female Header

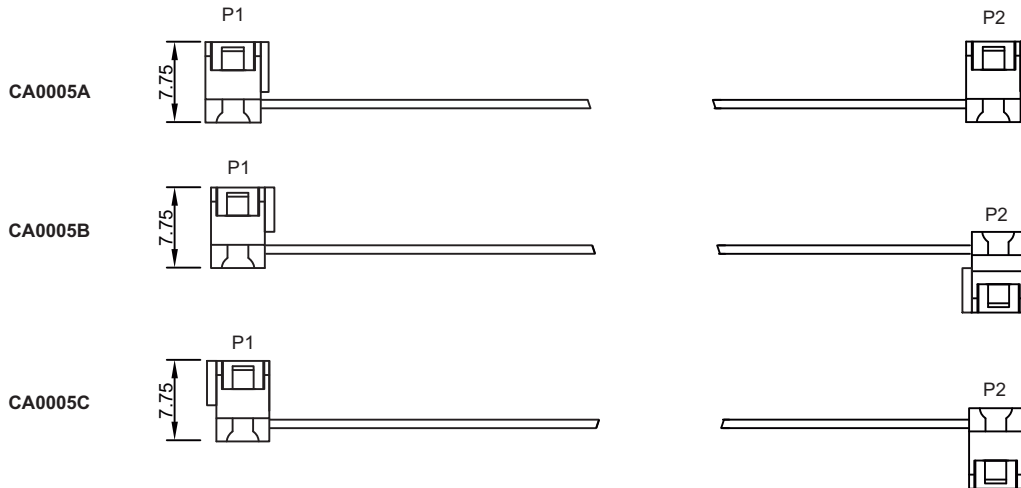
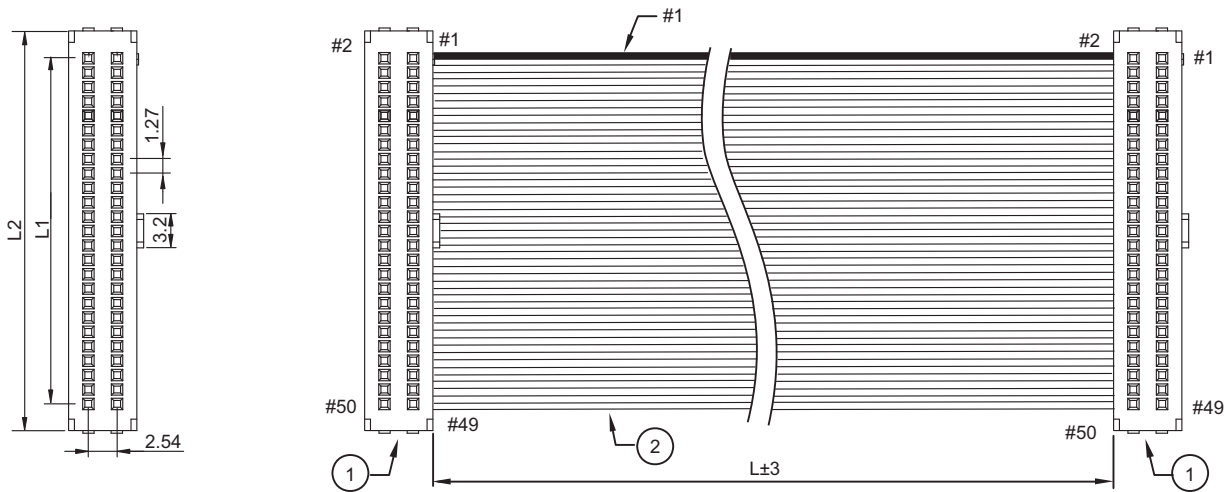
## General specifications

Connector insulator material	PBT, UL94V-0, color: black
Connector contact material	Copper alloy, plating: flashgold
Connector current rating	1 A
Connector contact resistance	30 mΩ max.
Connector insulator resistance	500 MΩ min.
Connector dielectrical withstanding	250 VAC for 1 min
Connector operating temperature	-40 °C to +105 °C
Cable specification	UL2651
<b>Mating parts series</b>	
1220, 1226, 1228, 1270, 1276	



## Mechanical dimensions

Unit: mm

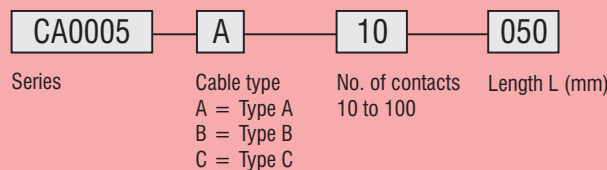


Tolerances		
Linear	X.	$\pm 0.30$
	.X	$\pm 0.25$
	.XX	$\pm 0.20$

L1 = No. of contacts / 2 x 1.27 - 1.27  
L2 = No. of contact / 2 x 1.27 + 4.75

Parts descriptions	
Part no.	Description
1	1.27 x 2.54 IDC female header NEXUS series 1290
2	Flatcable, UL2651, AWG 28, PH 0.635

## Part numbering guide



\* standard

