

64740 Series

Dual Port RJ45 8P Side Entry CAT.5 Shielded

General specifications

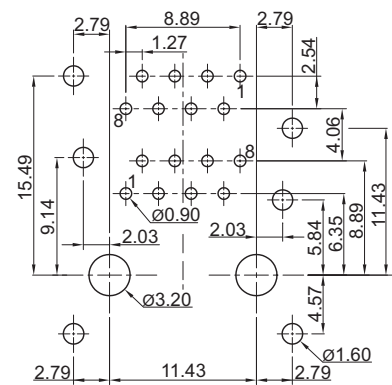
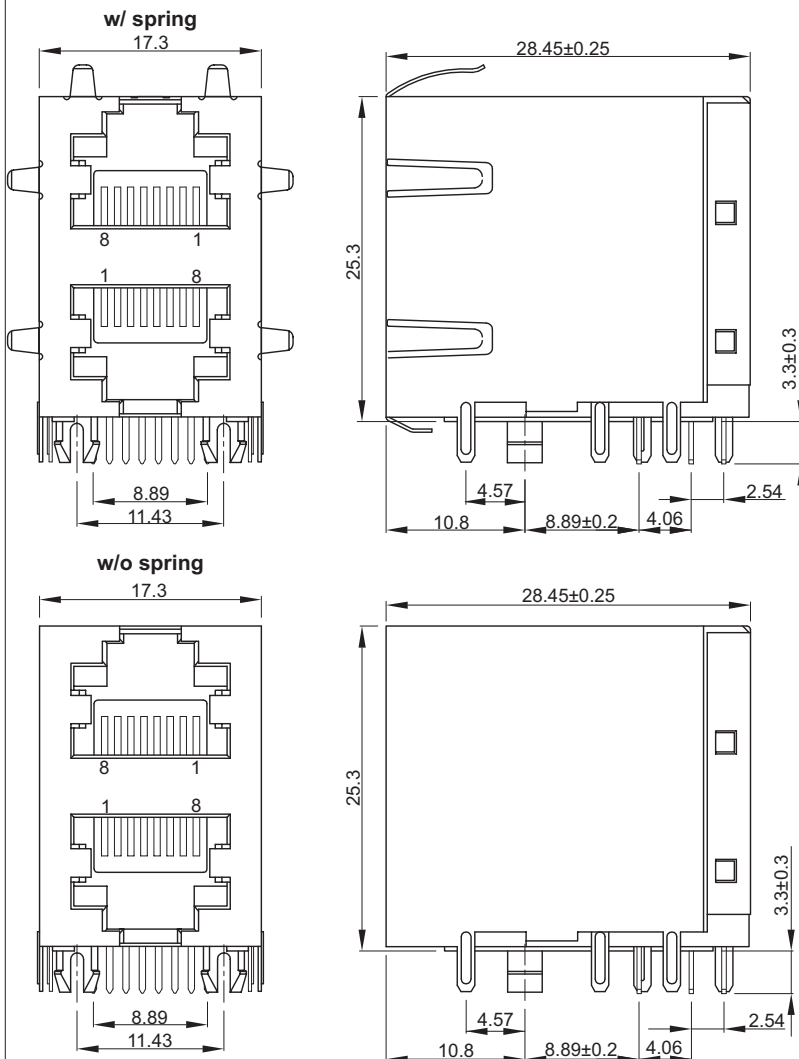
Insulator material	High temperature plastic, UL94V-0, color: black
Contact material	Phosphor bronze
Current rating	1 A
Voltage rating	125 VAC
Contact resistance	50 mΩ max.
Insulator resistance	200 MΩ min.
Dielectrical withstanding	1000 VAC for 1 min
Operating temperature	-40 °C to +85 °C
Soldering	Lead free wave soldering process
Durability	750 cycles

Mating parts series



Mechanical dimensions

Unit: mm

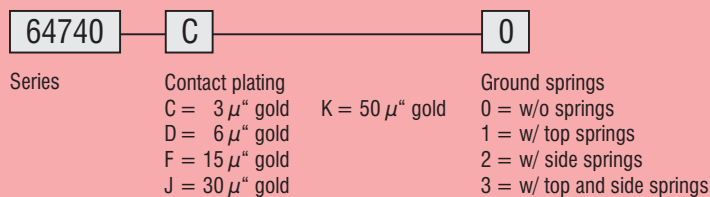


Recommended P.C.B. layout

Frequency	Near-End cross talk dB, min.	Return loss dB, min.	Attenuation d.B. max.
1.00 MHz	65.0	23.0	0.1
4.00 MHz	65.0	23.0	0.1
8.00 MHz	62.0	23.0	0.1
10.00 MHz	60.0	23.0	0.1
16.00 MHz	56.0	23.0	0.2
20.00 MHz	54.0	23.0	0.2
25.00 MHz	52.0	23.0	0.2
31.25 MHz	50.0	14.0	0.2
62.50 MHz	44.0	14.0	0.3
100.00 MHz	40.0	14.0	0.4

Tolerances		
Linear	X	± 0.25
	.XX	± 0.20
	.XXX	± 0.10

Part numbering guide



* standard

