

### General specifications

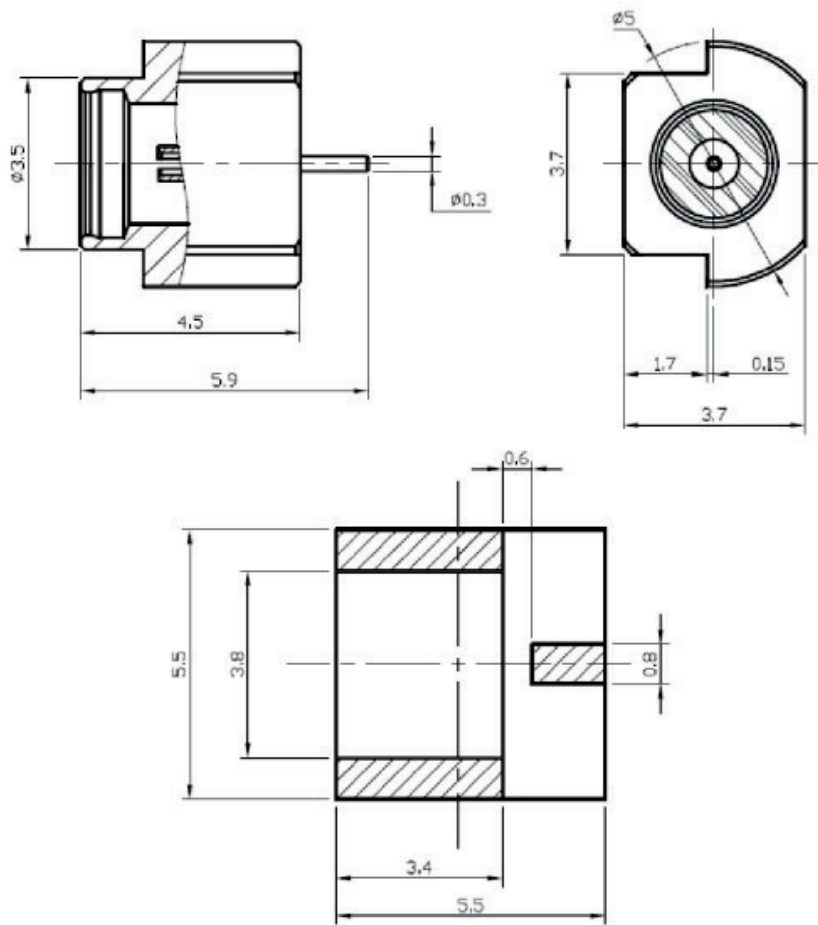
|                           |  |
|---------------------------|--|
| Insulator material        | Teflon                                 |
| Center contact material   | Beryllium copper, plating: gold        |
| Body material             | Brass, plating: gold                   |
| Impedance                 | 50 Ω                                   |
| Frequency range           | 0 to 6 GHz                             |
| Contact resistance        | Center: 5 mΩ max. / outer: 2.5 mΩ max. |
| Insulator resistance      | 1000 MΩ min.                           |
| Dielectrical withstanding | 500 VAC                                |
| Operation temperature     | -65 C to +155 C                        |
| Durability                | 500 cycles                             |
|                           |  |
|                           |  |



RoHS  
compliant

### Mechanical dimensions

Unit: mm



Recommended P.C.B. layout

#### Tolerances

|        |         |       |
|--------|---------|-------|
| Linear | <6      | ± 0.2 |
|        | 6 to 30 | ± 0.4 |
|        | >30     | ± 0.6 |

### Part numbering guide

49709

Series

\* standard

