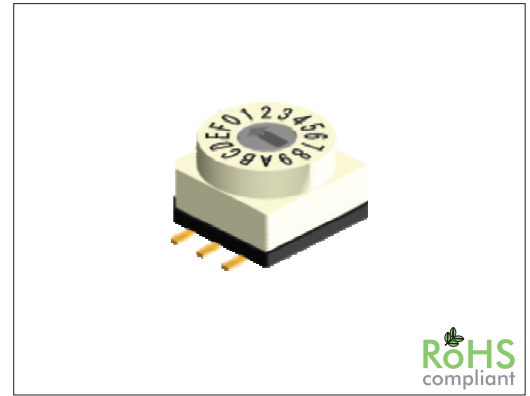


# SW-RBM Series SMT Rotary Switch 10 x 10 mm Washable

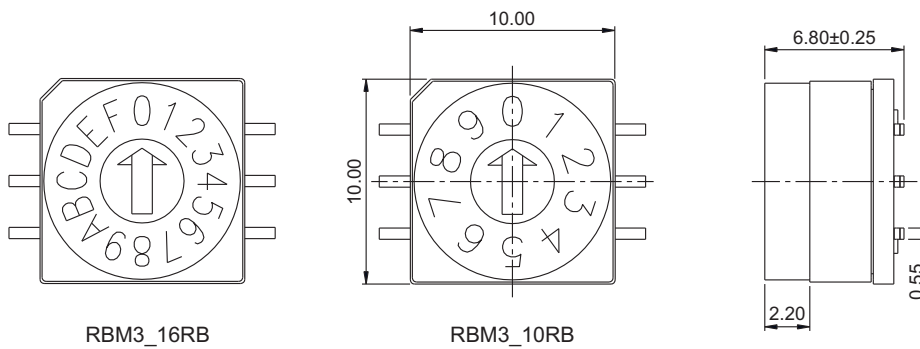
## General specifications

Housing material	High temperature plastic, UL94V-0, color: black, white
Actuator material	High temperature plastic, UL94V-0, color: white
Contact material	Copper alloy, plating: gold
Current rating	150 mA
Voltage rating	24 VDC
Contact resistance	80 mΩ max.
Insulator resistance	100 MΩ min. @ 250 VDC
Dielectrical withstanding	250 VAC for 1 min
Operating temperature	-60 °C to +125 °C
Operating force	400 gf max.
Durability	10000 cycles
Soldering	JEDEC lead free reflow soldering process



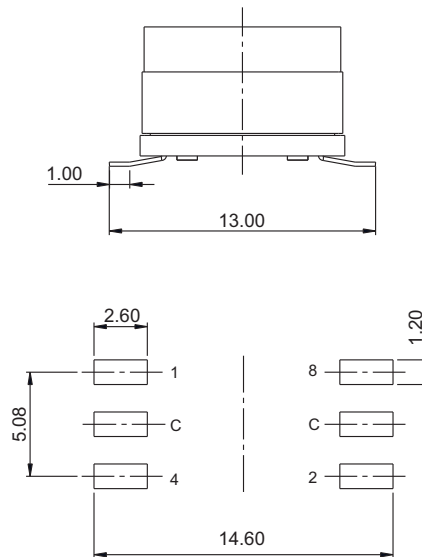
## Mechanical dimensions

Unit: mm



RBM3\_16RB

RBM3\_10RB



Recommended P.C.B. layout (3+3)

Coding table					
Type	Position	Code			
		1	2	4	8
10R 16R	0	●	●	●	●
	1	○	●	●	●
	2	●	○	●	●
	3	○	○	●	●
	4	●	●	○	●
	5	○	●	●	●
	6	●	○	○	●
	7	○	○	○	●
	8	●	●	●	○
	9	○	●	●	○
16R	A	●	○	●	○
	B	○	○	●	○
	C	●	●	○	○
	D	○	●	○	○
	E	●	○	○	○
	F	○	○	○	○

○ ON ● OFF

Tolerances	
Linear	± 0.20

## Part numbering guide

<b>SW-RBM</b>	<b>3</b>	<b>10</b>	<b>R</b>	<b>A</b>	<b>V</b>	<b>TR</b>
Series	Solder pins 2 = 3+2 3 = 3+3	Steps 8 = 8 10 = 10 16 = 16	Code no. printing R = Real codes	Actuator notch A = Cross head B = Arrow head	Material V = Lead free	Packing TR = Reel B = Tube

\* standard

