

3850 Series

Mini USB Type B 5 Pin SMT Socket

General specifications

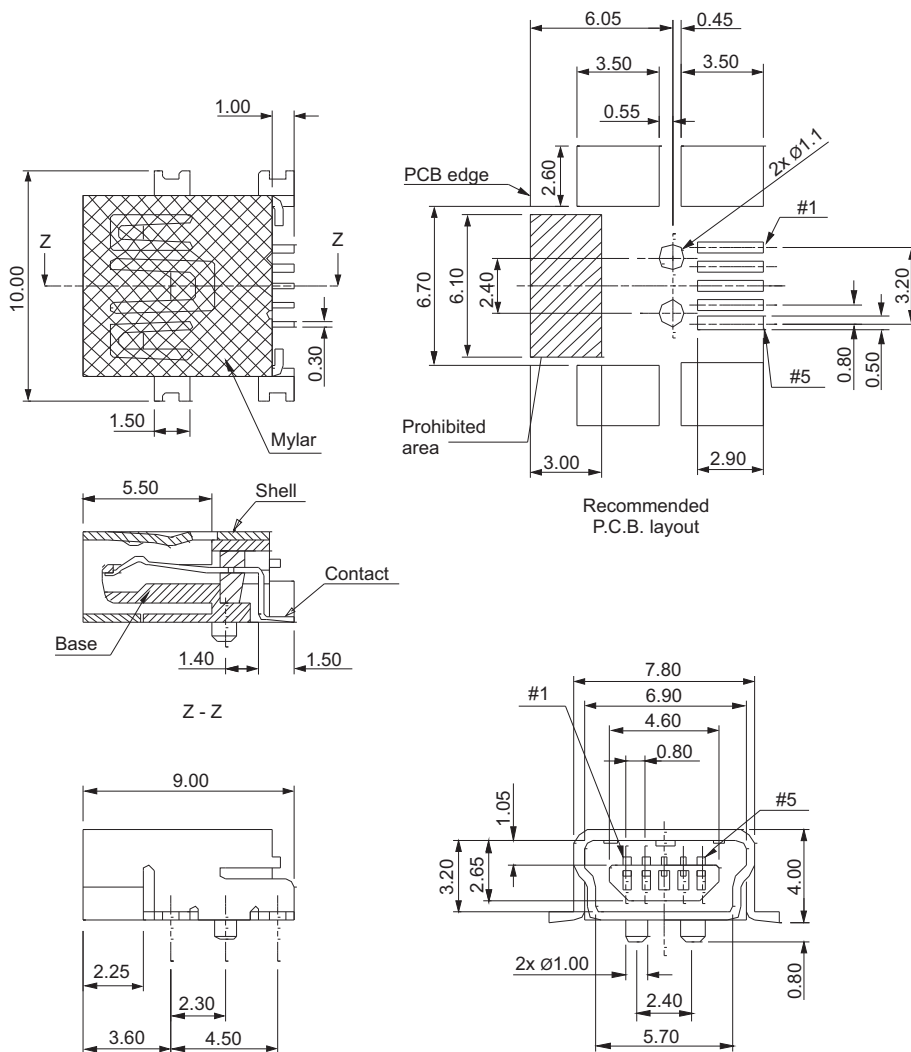
Insulator material	Nylon 9T, UL94V-0
Contact material	Brass
Current rating	1 A
Voltage rating	30 V AC/DC
Contact resistance	50 mΩ max.
Insulator resistance	100 MΩ min.
Dielectrical withstanding	100 VAC for 1 min
Operating temperature	-55 °C to +85 °C
Durability	1500 cycles
Soldering	JEDEC lead free reflow soldering process

Mating parts series



Mechanical dimensions

Unit: mm



Tolerances	
Linear	X ± 0.20
	.XX ± 0.10

Part numbering guide

3850 H	J	B	R
Series H = SMT horizontal	Contact plating J = 30 μ" gold	Color B = Black	Packing R = Reel

* standard

