

# 5107 Series

# Battery Holder Vertical for CR2032

### General specifications

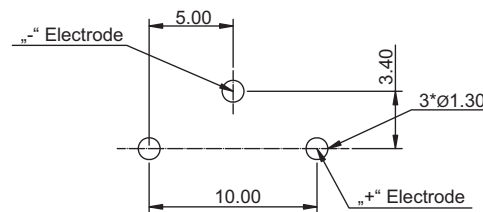
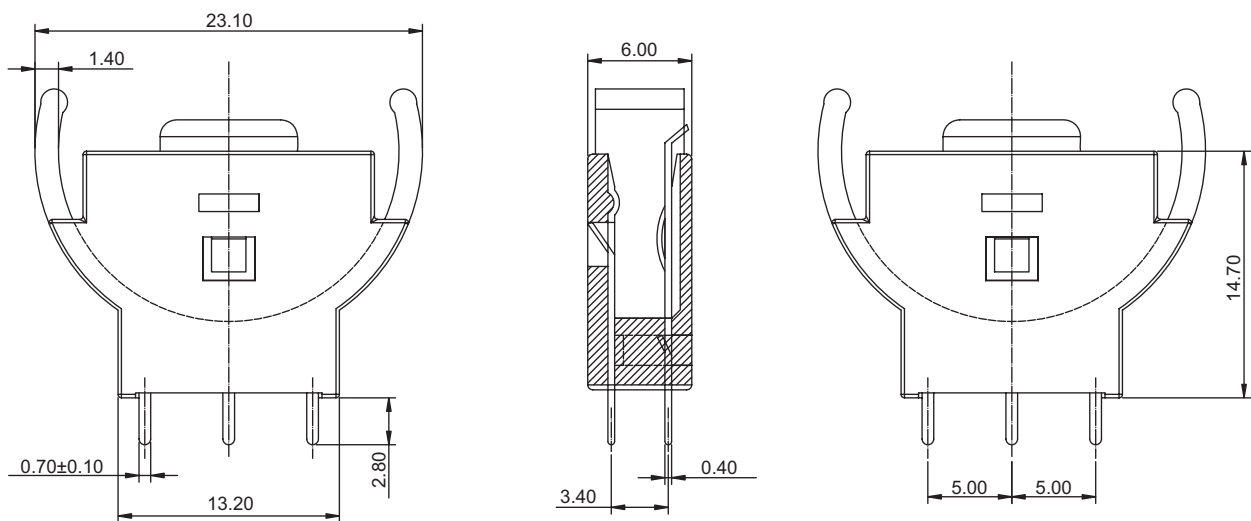
|                           |                                  |
|---------------------------|----------------------------------|
| Insulator material        | Nylon-66, UL94V-0                |
| Contact material          | Brass, plating: tin over nickel  |
| Current rating            | 2 A                              |
| Voltage rating            | 500 VAC                          |
| Contact resistance        | 30 mΩ max.                       |
| Insulator resistance      | 1000 MΩ min.                     |
| Dielectrical withstanding | 500 VAC for 1 min                |
| Operating temperature     | -55 °C to +125 °C                |
| Soldering                 | Lead free wave soldering process |

### Mating parts series



### Mechanical dimensions

Unit: mm

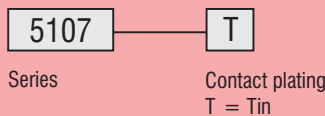


Recommended P.C.B. layout  
top view

### Tolerances

|        |      |        |
|--------|------|--------|
| Linear | X    | ± 0.38 |
|        | .XX  | ± 0.25 |
|        | .XXX | ± 0.20 |

### Part numbering guide



\* standard

