

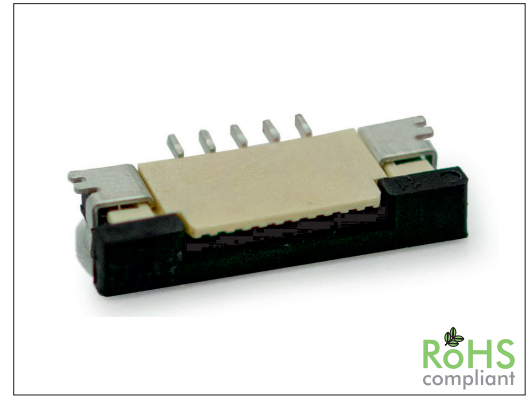
2883 Series

1.00 mm SMT FPC ZIF Socket Down Contacts

General specifications

Insulator material	LCP, UL94V-0, color: nature
Contact material	Phosphor bronze
Current rating	0.5 A
Voltage rating	50 V AC/DC
Contact resistance	30 mΩ max.
Insulator resistance	500 MΩ min.
Dielectrical withstanding	500 VAC for 1 min
Operating temperature	-25 °C to +85 °C
Soldering	JEDEC lead free reflow soldering process

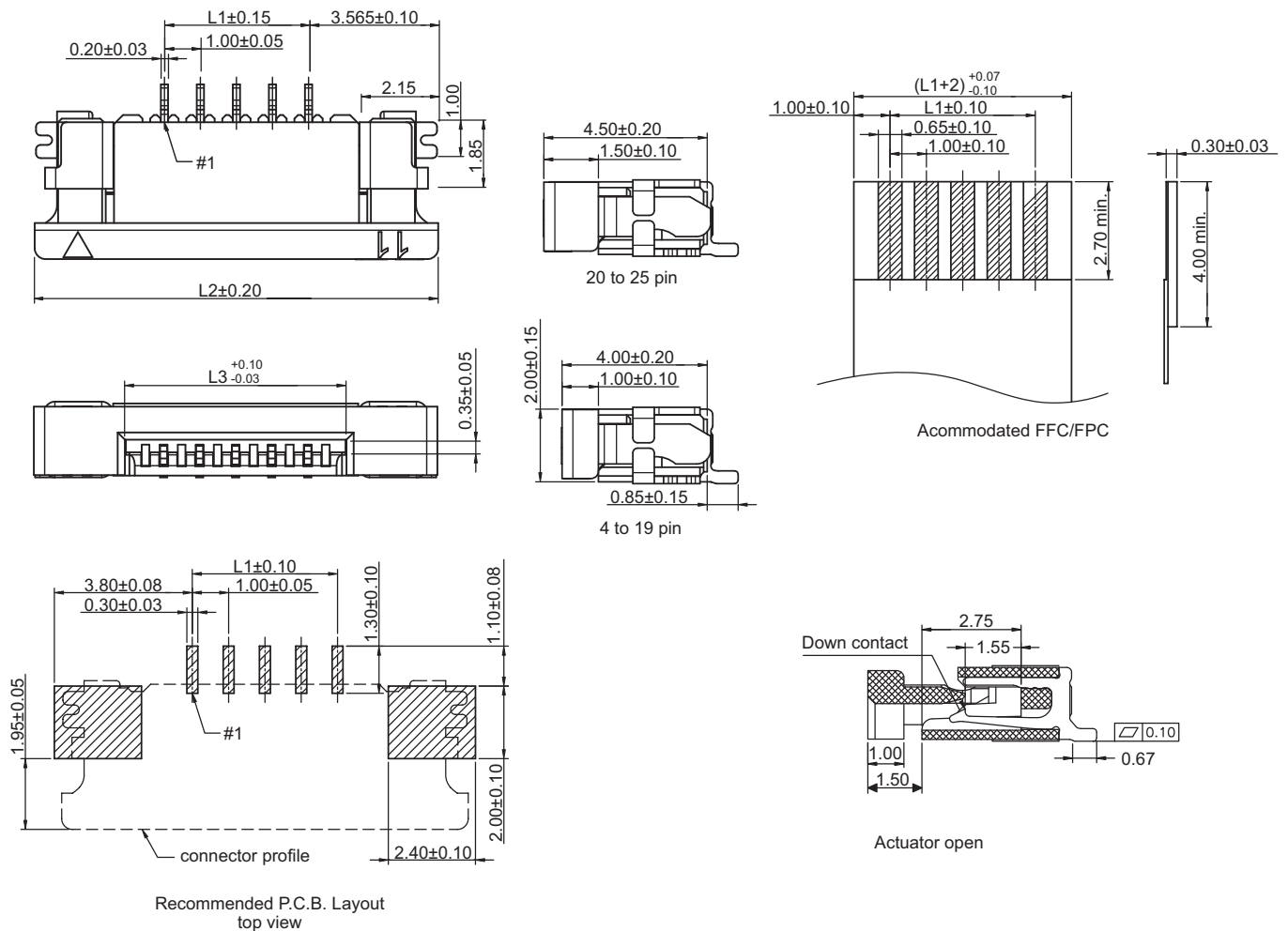
Mating parts series



RoHS
compliant

Mechanical dimensions

Unit: mm



L1 = (No. of contacts - 1) x 1.00
L2 = No. of contacts x 1.00 + 6.20
L3 = L1 + 2.10

Tolerances	
Linear	X ± 0.20
	.XX ± 0.10

Part numbering guide

2883 DJ	04	T	R
Series DJ = SMT horizontal down contacts	No. of contacts 04 to 25	Contact plating T = Tin B = Flashgold	Packing R = Reel T = Tube

* standard

