

64341 Series RJ45 8P Side Entry CAT.5 Shielded

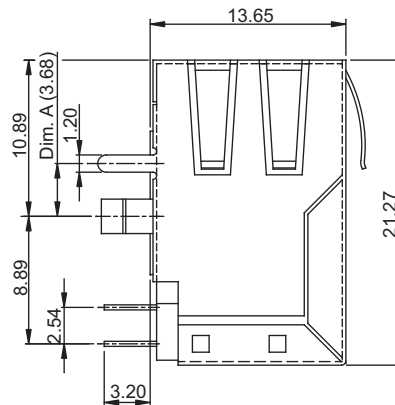
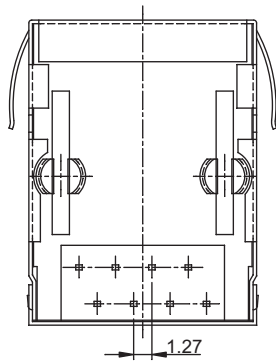
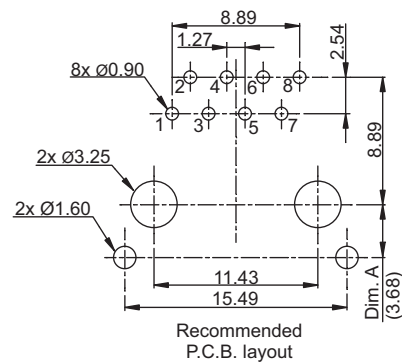
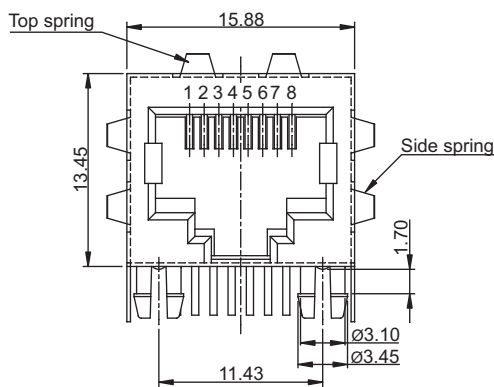
General specifications

Insulator material	High temperature thermoplastic , UL94V-0, color: black
Contact material	Phosphor bronze
Current rating	1.5 A
Voltage rating	125 VAC
Contact resistance	30 mΩ max.
Insulator resistance	1000 MΩ min.
Dielectrical withstanding	1000 VAC for 1 min
Operating temperature	-40 °C to +85 °C
Soldering	Lead free wave soldering process
Durability	750 cycles
Mating parts series	



Mechanical dimensions

Unit: mm



Tolerances		
Linear	X	± 0.38
	.XX	± 0.25
	.XXX	± 0.10

Part numbering guide

64341	C	B	0
Series	Contact plating C = 3 μ ^a gold D = 6 μ ^a gold F = 15 μ ^a gold J = 30 μ ^a gold	K = 50 μ ^a gold B = 3.68 mm	Ground springs 0 = w/o springs 1 = w/ top springs 2 = w/ side springs 3 = w/ top and side springs

* standard

