

# 3492 Series

# Micro SATA 16 Pin Female Right Angle

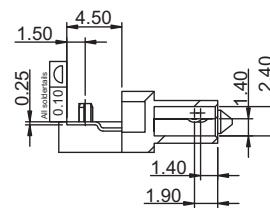
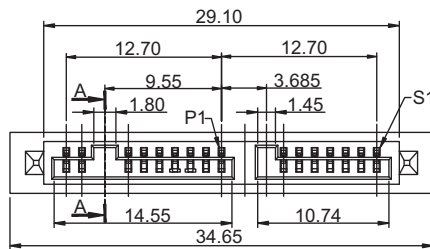
## General specifications

Insulator material	High temperature thermoplastic, UL94V-0
Contact material	Copper alloy, plating: gold over nickel
Current rating	1.5 A
Contact resistance	30 mΩ max.
Insulator resistance	1000 MΩ min.
Dielectrical withstanding	500 VAC for 1 min
Operating temperature	-40 °C to +85 °C
Soldering	JEDEC lead free reflow soldering process
<b>Mating parts series</b>	

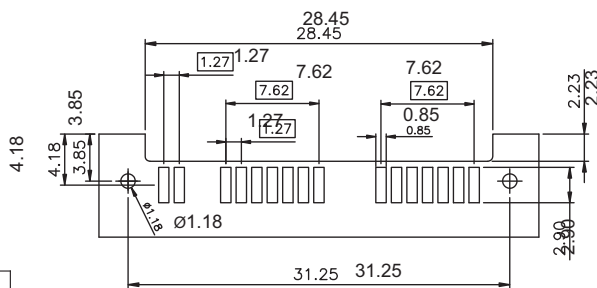
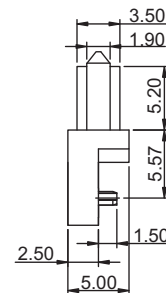
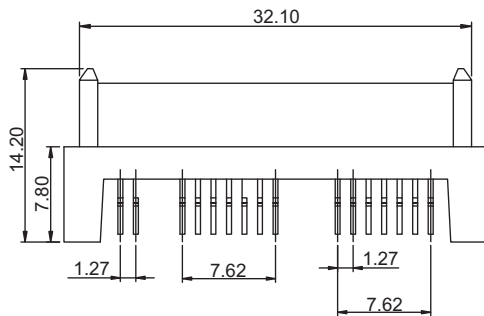


## Mechanical dimensions

Unit: mm



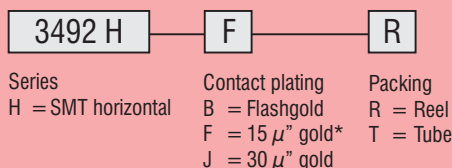
Section A-A



Recommended P.C.B. layout

Tolerances		
Linear	X	± 0.30
	.XX	± 0.20
	.XXX	± 0.15

## Part numbering guide



\* standard

