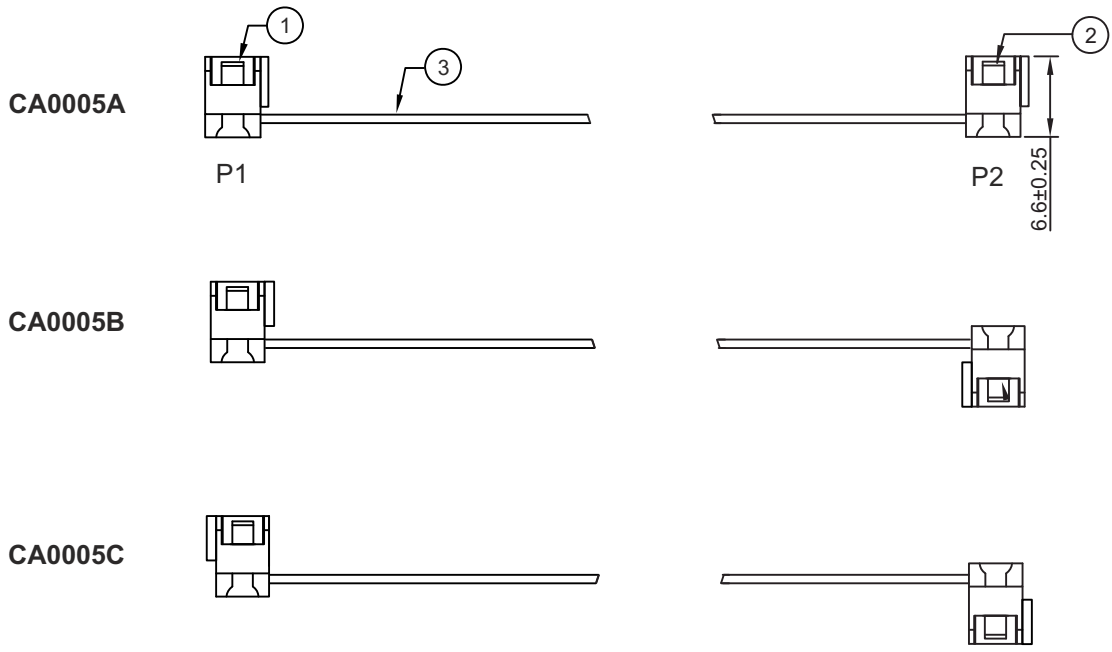
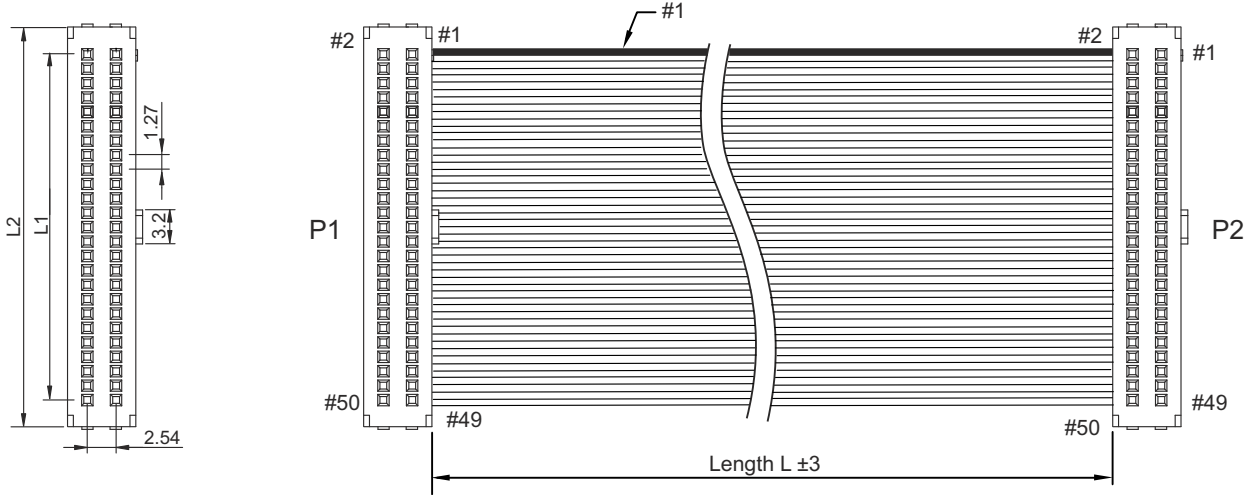


Series CA0005 Flatcable with 2x 1.27x2.54mm IDC Female Header

Item	Description	Qty
1	1.27mm IDC Female Flatcable Header, xxPin, NEXUS 1290, flashgold	1
2	1.27mm IDC Female Flatcable Header, xxPin, NEXUS 1290, flashgold	1
3	Flatcable, UL2651 AWG #28 PH=0.635mm, Length xxx mm	1

$$L1 = \left(\frac{\text{No. of contacts}}{2} - 1 \right) \times 1.27$$

$$L2 = \left(\frac{\text{No. of contacts}}{2} \right) \times 1.27 + 4.75$$



Tolerances	
Linear	X. ± 0.30
	.X ± 0.25
	.XX ± 0.20



All dim. in mm

CA0005	A	50	050
Type A = Type A B = Type B C = Type C		No. of contacts 10 ~ 100	Length L i.e. 050 = 50mm