

# 64120 Series RJ45 8P Top Entry CAT.6 Shielded

## General specifications

Insulator material	High temperature thermoplastic, UL94V-0, color: black
Contact material	Phosphor bronze, plating: gold over nickel
Current rating	1.5 A
Voltage rating	125 VAC
Contact resistance	35 mΩ max.
Insulator resistance	1000 MΩ min. @ 500 VDC
Dielectrical withstandig	1000 VAC for 1 min
Operating temperature	-40 °C to +85 °C
Soldering	JEDEC lead free wave soldering process
Durability	750 cycles

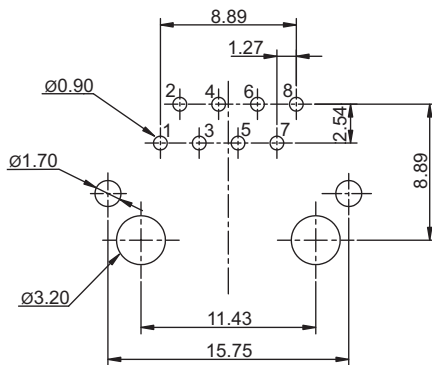
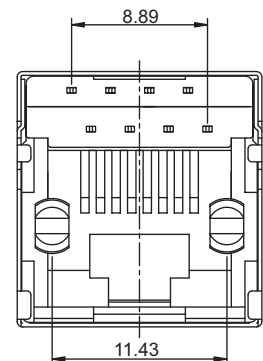
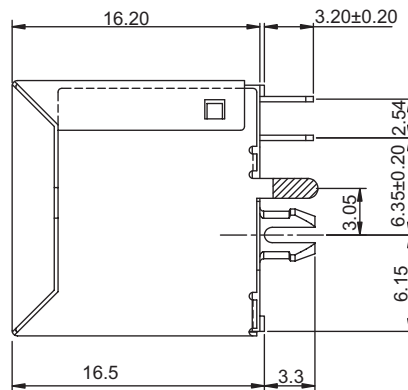
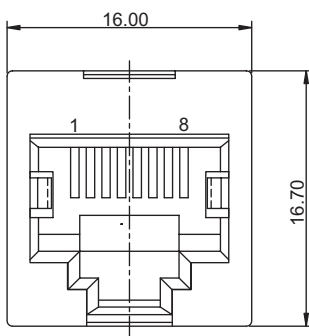
## Mating parts series



RoHS  
compliant

## Mechanical dimensions

Unit: mm



Recommended  
P.C.B. layout

Frequency	Near-end cross talk dB, min.	Return loss dB, min.	Attenuation dB, max.
1.00 MHz	75.0	35.5	0.1
4.00 MHz	75.0	35.5	0.1
10.00 MHz	74.0	35.5	0.1
16.00 MHz	69.9	35.5	0.1
25.00 MHz	66.0	35.5	0.1
31.25 MHz	64.1	34.1	0.1
62.50 MHz	58.1	28.1	0.1
100.00 MHz	54.0	24.0	0.2
200.00 MHz	48.0	18.0	0.3
250.00 MHz	46.0	16.0	0.3

Tolerances		
Linear	X	± 0.25
	.XX	± 0.15

## Part numbering guide

64120

C

Series  
RJ45 8P

Contact plating  
C = 3 μ" gold  
D = 6 μ" gold  
F = 15 μ" gold

J = 30 μ" gold  
K = 50 μ" gold

\* standard

