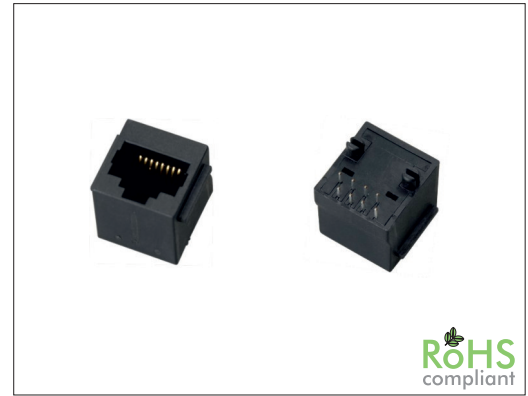


64130 Series RJ45 8P Top Entry CAT.5

General specifications

Insulator material	Polyester w/ glass fiber, UL94V-0, color: black
Contact material	Phosphor bronze
Current rating	1.5 A
Voltage rating	125 VAC
Contact resistance	35 mΩ max.
Insulator resistance	1000 MΩ min.
Dielectrical withstanding	1000 VAC for 1 min
Operating temperature	-40 °C to +85 °C
Soldering	Lead free wave soldering process
Durability	750 cycles

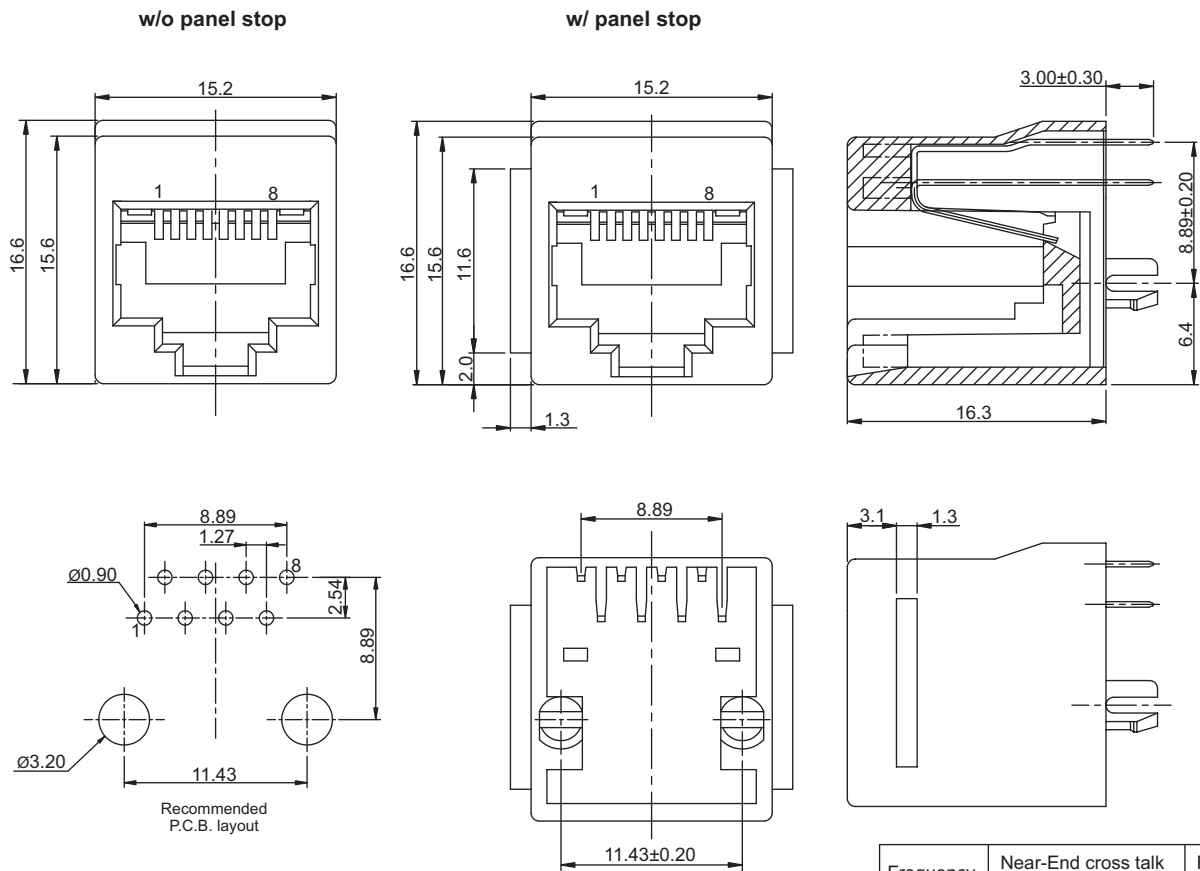
Mating parts series



RoHS
compliant

Mechanical dimensions

Unit: mm



Frequency	Near-End cross talk dB, min.	Return loss dB, min.
1.00 MHZ	65.0	23.0
4.00 MHZ	65.0	23.0
8.00 MHZ	62.0	23.0
10.00 MHZ	60.0	23.0
16.00 MHZ	56.0	23.0
20.00 MHZ	54.0	23.0
25.00 MHZ	52.0	14.0
31.25 MHZ	50.0	14.0
62.50 MHZ	44.0	14.0
100.00 MHZ	40.0	14.0

Tolerances		
Linear	X	± 0.20
	.XX	± 0.15
	.XXX	± 0.10

Part numbering guide

64130 — C — 0

Series

Contact plating

C = 3 μ" gold K = 50 μ" gold

D = 6 μ" gold

F = 15 μ" gold

J = 30 μ" gold

Panel stop

0 = w/o panel stop

1 = w/ panel stop

* standard

