

2203 Series

2.00 mm PHD Housing and Terminal

General specifications

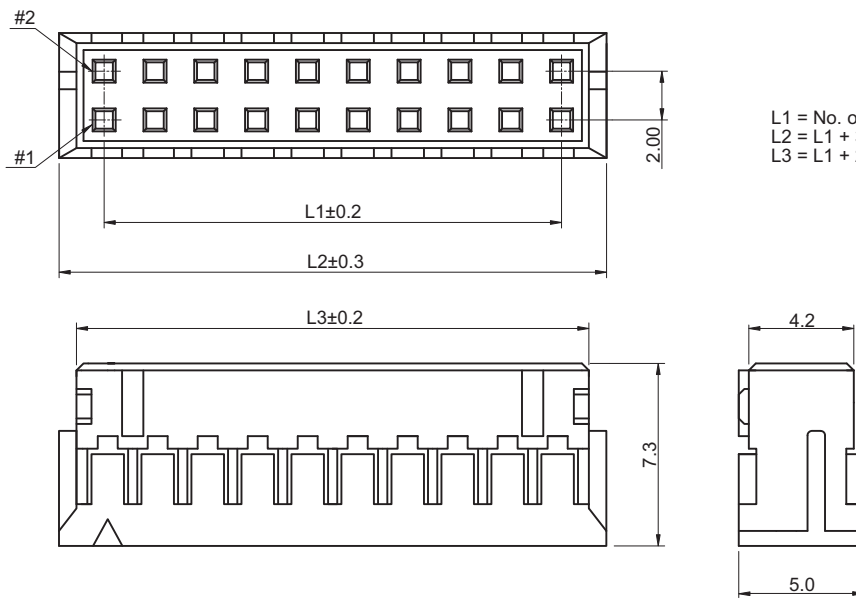
Insulator material	Nylon 66, UL94V-0, color: natural
Contact material	Phosphor bronze, plating: tin
Current rating	3 A
Voltage rating	250 VAC
Contact resistance	20 mΩ max.
Insulator resistance	1000 MΩ @ 500 VDC
Dielectrical withstanding	500 VAC for 1 min
Operating temperature	-25 °C to +85 °C
Mating parts series	
2203-HV, 2203-SR	



Mechanical dimensions

Unit: mm

2203P

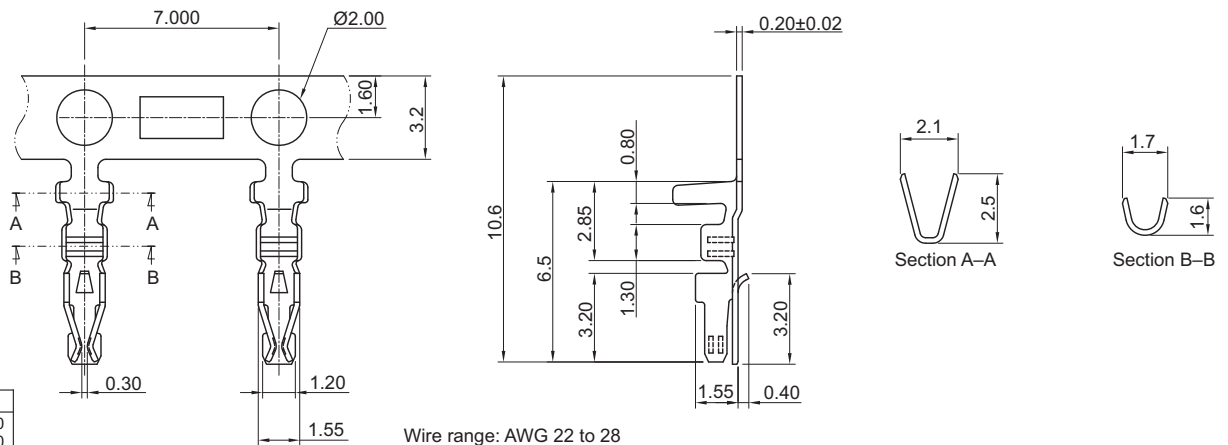


$$L1 = \text{No. of contacts} \times 2 - 2$$

$$L2 = L1 + 3.9$$

$$L3 = L1 + 2.5$$

2203T



Wire range: AWG 22 to 28

Tolerances		
Linear	X	± 0.30
	.XX	± 0.20
	.XXX	± 0.10

Part numbering guide

2203 P

06

Series

No. of contacts

P = Housing

06 to 40

T = Terminal

(leave blank for terminal)

* standard

