

2460 Series

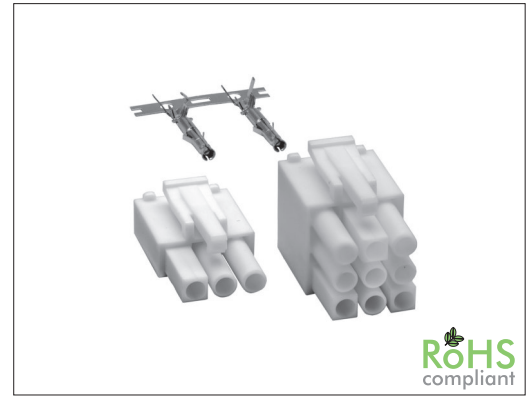
4.50 mm EL Housing w/ Lock and Terminal

General specifications

Insulator material	Nylon 66, UL94V-0, color: nature
Contact material	Phosphor bronze, plating: tin
Current rating	10 A
Voltage rating	300 V AC/DC
Contact resistance	7 mΩ max.
Insulator resistance	1000 MΩ min.
Dielectrical withstanding	1500 VAC for 1 min
Operating temperature	-25 °C to +85 °C
Wire range	AWG 16 to 20

Mating parts series

2460-M or cable assembly

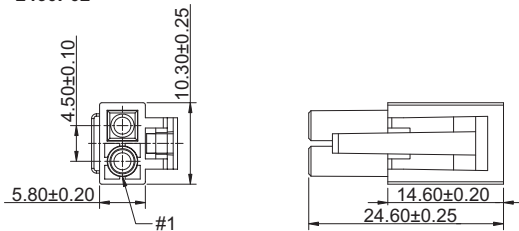


RoHS
compliant

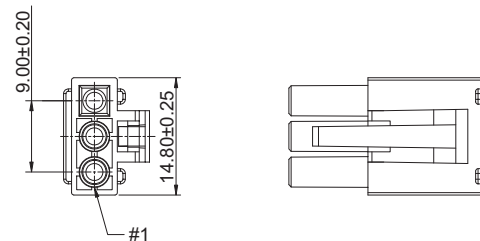
Mechanical dimensions

Unit: mm

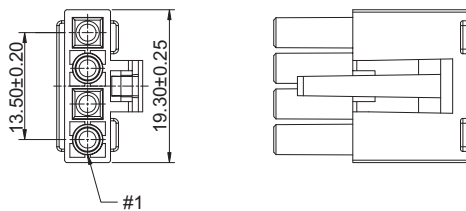
2460P02



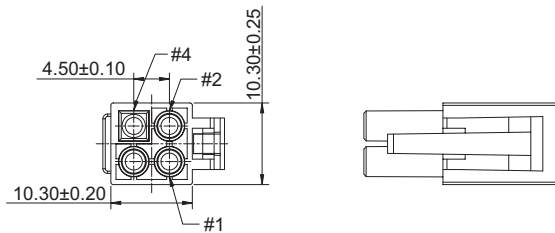
2460P03



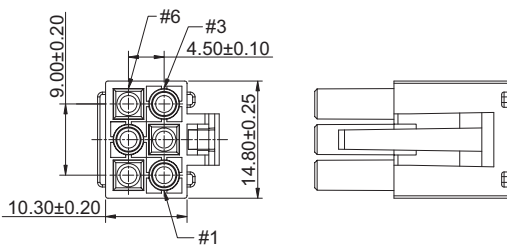
2460P04



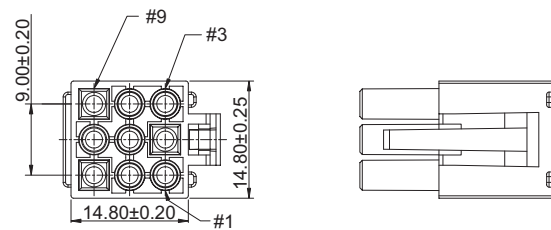
2460P22



2460P06



2460P09



Tolerances

Linear	X	± 0.25
	XX	± 0.15
	XXX	± 0.05

continued on page 2

Part numbering guide

2460 P

02

Series
P = Housing
T = Terminal

No. of contacts
1 row = 02, 03, 04
2 row = 22 (04), 06
3 row = 12, 15

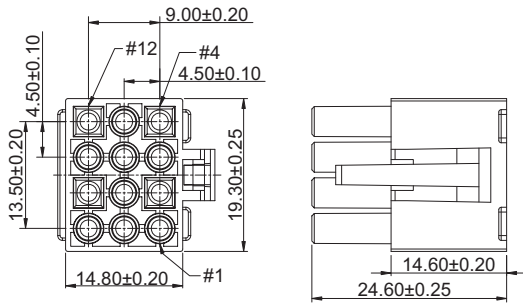
* standard



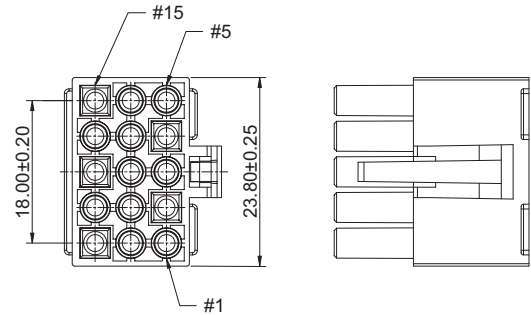
Mechanical dimensions

Unit: mm

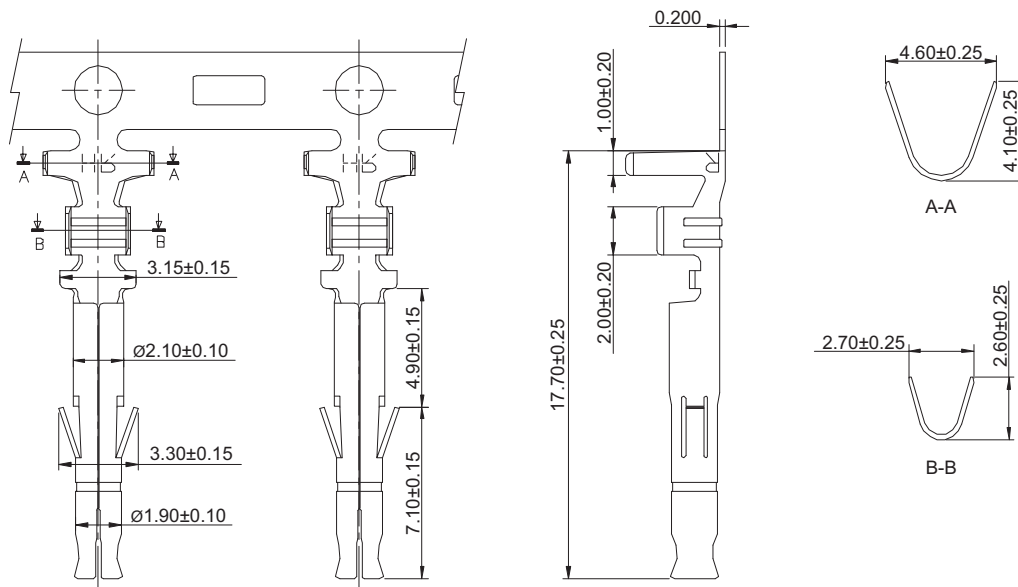
2460P12



2460P15



2460T



Tolerances

Linear	X	± 0.25
	.XX	± 0.15
	.XXX	± 0.05

