

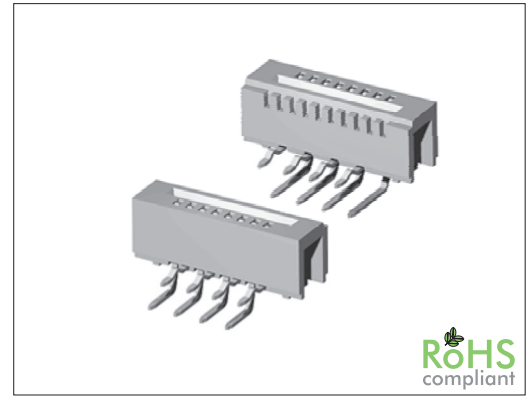
2988 Series

1.00 mm FPC Socket Up / Down Contacts

General specifications

Insulator material	High temperature plastic, UL94V-0, color: nature
Contact material	Copper alloy
Current rating	0.5 A
Voltage rating	100 V AC/DC
Contact resistance	30 mΩ max.
Insulator resistance	500 MΩ min.
Dielectrical withstanding	500 VAC for 1 min
Operating temperature	-25 °C to +85 °C
Soldering	Lead free wave soldering process

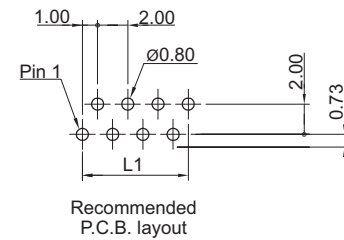
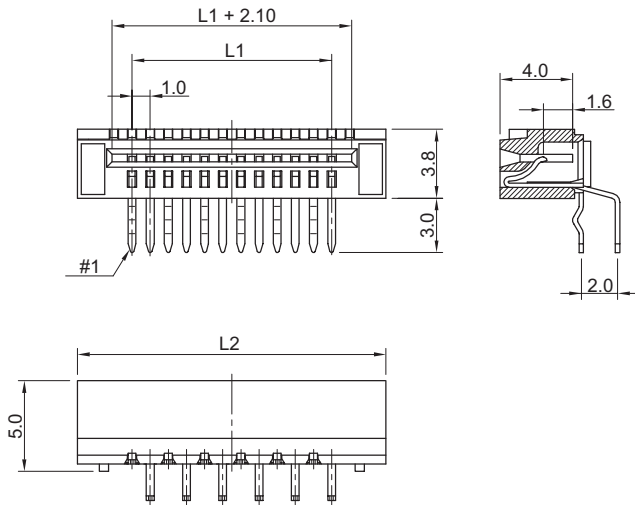
Mating parts series



Mechanical dimensions

Unit: mm

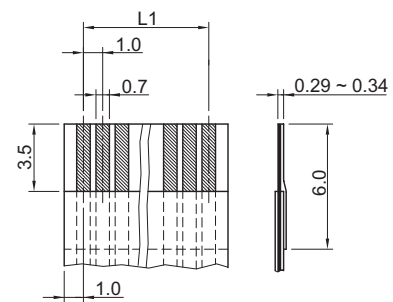
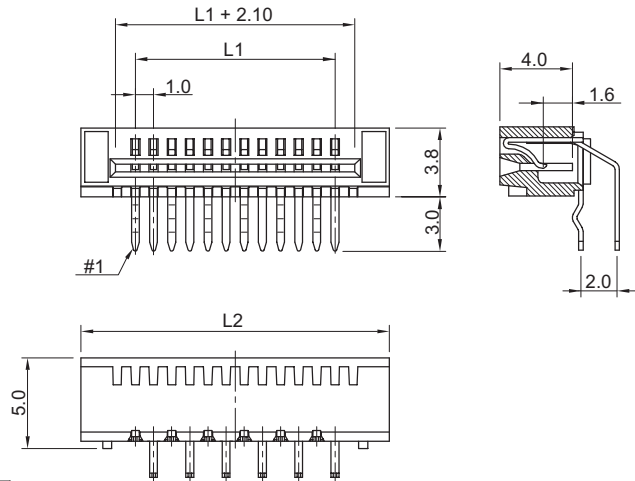
2988D



$$L1 = (\text{No. of contacts} - 1) \times 1.00$$

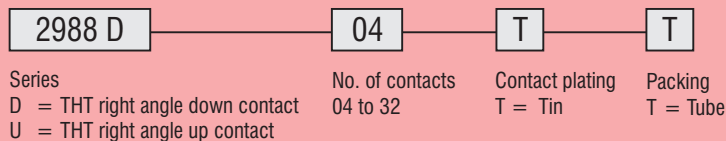
$$L2 = \text{No. of contacts} \times 1.00 + 5.00$$

2988U



Tolerances		
Linear	X	± 0.38
	.XX	± 0.25

Part numbering guide



* standard

