

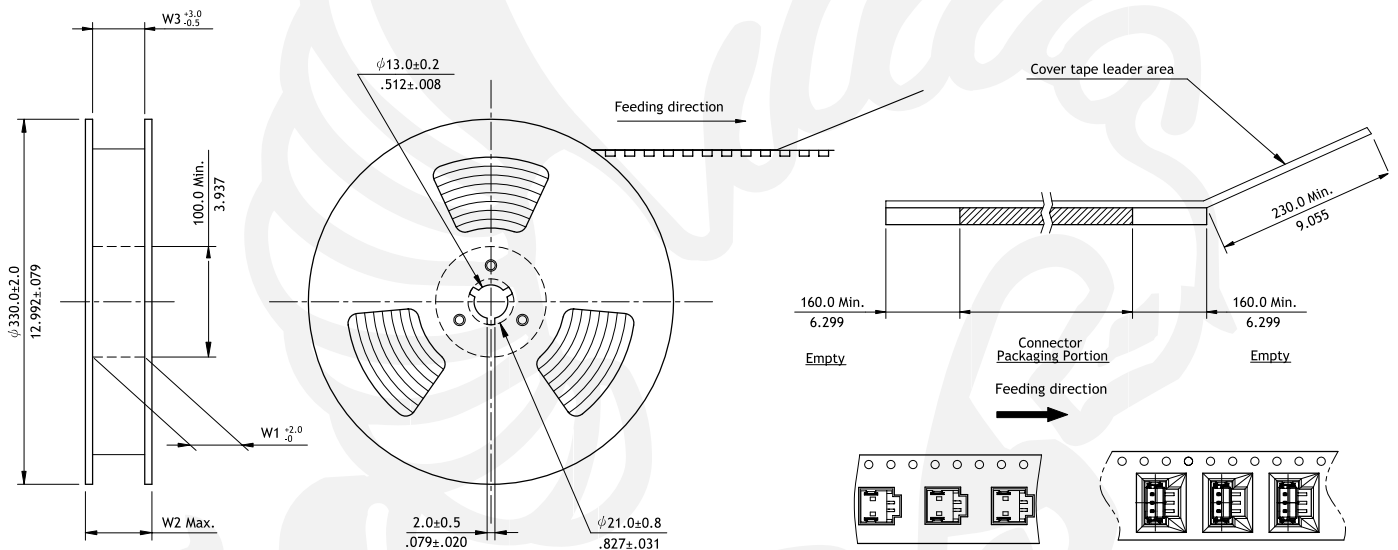


Tape & Reel Spec

Kd. Art.-Nr.: (Art.Nr.)

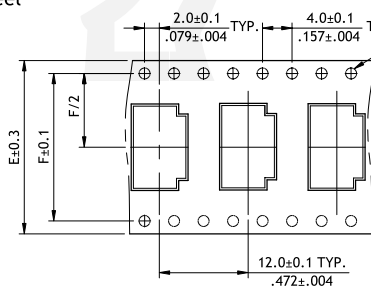


- ⊙ Reel Material: HIPS
- ⊙ Carrier Material: color Nature(Clear) , Conductive Polystyrene Alloy
- ⊙ Cover Tape Material: Polyester
- ⊙ Cover Tape Peel Strength: 0.1N ~ 1.3N
- ⊙ Carrier Camber is within 1mm in 100mm
- ⊙ All dimensions meet EIA-481-2 & EIA-481-3 requirement

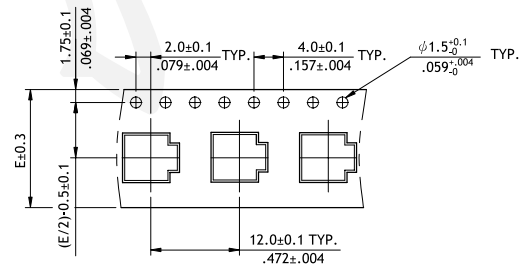


Series No.	Circuits	Dimension					Packing (Reel/ Carton)
		E	F	W1	W2	W3	
Side Entry Type	2-3	16.0(.630)	-----	16.5(.650)	22.5(.886)	16.5(.650)	11
	4-8	24.0(.945)	-----	24.5(.965)	30.5(1.201)	24.5(.965)	9
	9-11	32.0(1.260)	28.4(1.118)	32.5(1.280)	38.5(1.516)	32.5(1.280)	7
	12-13	44.0(1.732)	40.4(1.596)	44.5(1.752)	50.5(1.988)	44.5(1.752)	5
Top Entry Type	2-3	16.0(.630)	-----	16.5(.650)	22.5(.886)	16.5(.650)	11
	4-7	24.0(.945)	-----	24.5(.965)	30.5(1.201)	24.5(.965)	9
	8-11	32.0(1.260)	28.4(1.118)	32.5(1.280)	38.5(1.516)	32.5(1.280)	7
	12-13	44.0(1.732)	40.4(1.596)	44.5(1.752)	50.5(1.988)	44.5(1.752)	5

Side Entry Type
Quantity : 1400 PCS/Reel



WIDTH : 32,44 mm Carrier



WIDTH : 16,24 mm Carrier