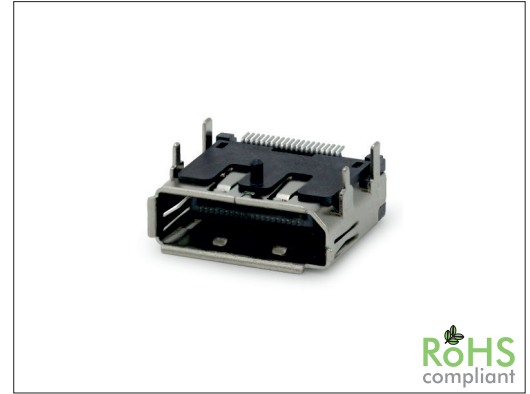


General specifications

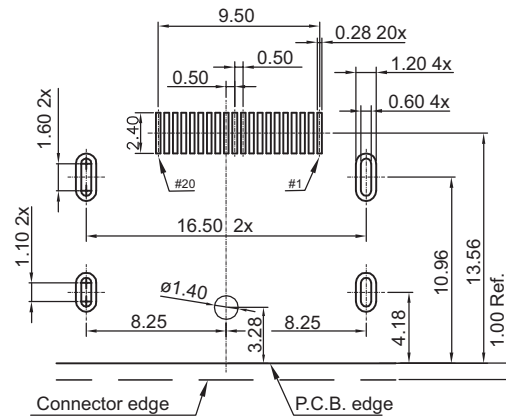
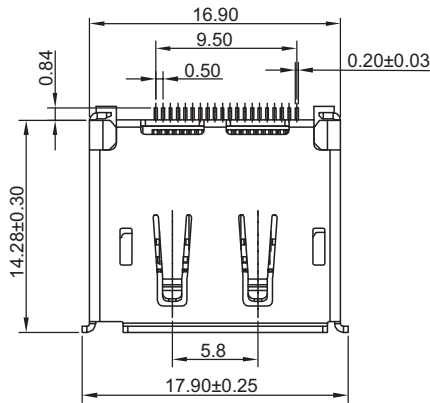
Insulator material	High temperature thermoplastic, UL94V-0
Contact material	Copper alloy
Current rating	0.5 A
Voltage rating	40 VAC
Contact resistance	30 mΩ max.
Insulator resistance	100 MΩ min.
Dielectrical withstanding	500 VAC for 1 min
Operating temperature	-25 °C to +85 °C
Soldering	JEDEC lead free reflow soldering process
Durability	5000 cycles

Mating parts series

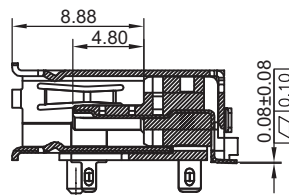
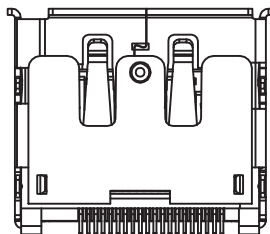
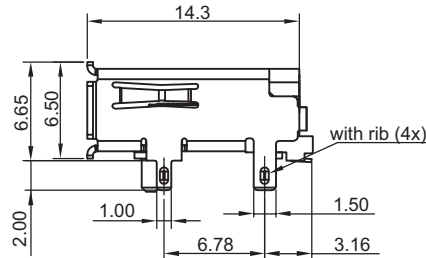
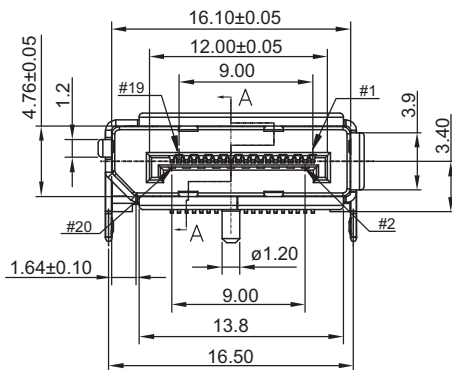


Mechanical dimensions

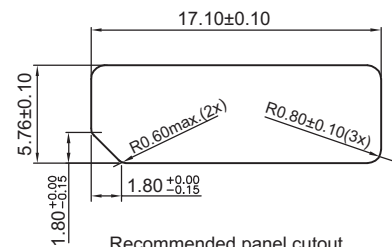
Unit: mm



Recommended P.C.B. layout (tolerances ±0.05)



Section A-A



Recommended panel cutout

Tolerances

Linear	X.	± 0.30
	X	± 0.25
	.XX	± 0.20
	.XXX	± 0.15

Part numbering guide

3660 H	F	0	R
Series	Contact plating	Rib	Packing
H = SMT horizontal	F = 15 μ" gold	0 = w/o rib 1 = w/ rib	R = Reel Y = Tray

* standard

