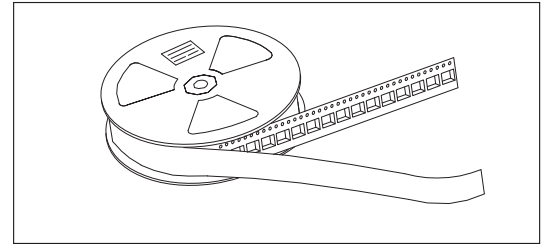


1985 Series

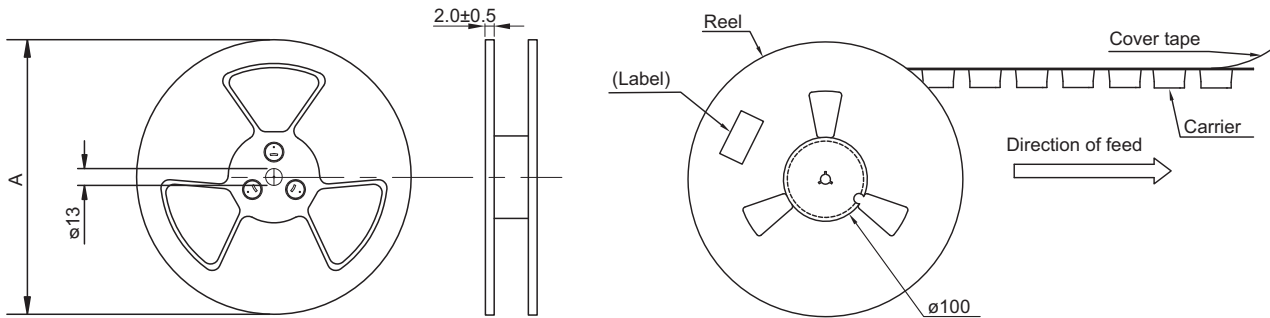
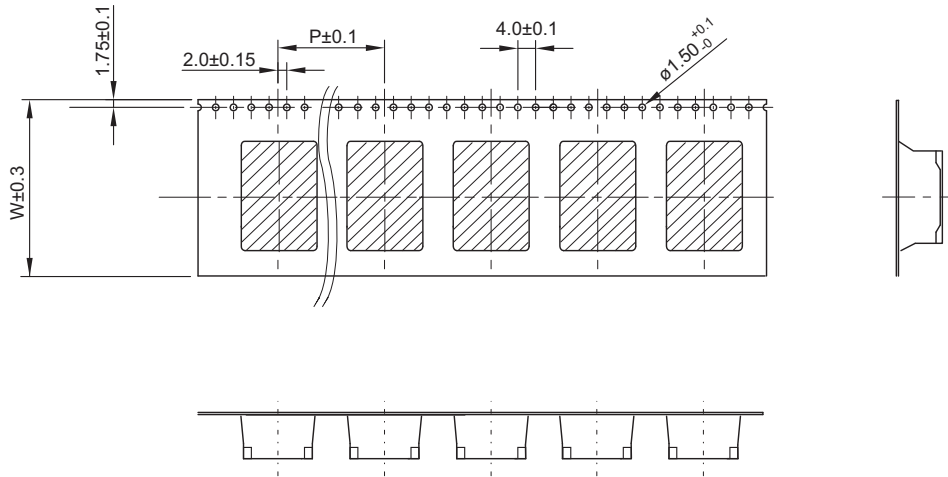
3.50 mm SMT Board to Board (LED Stripe)

Materials	
Carrier	PS tape, thickness: 0.50 mm
Cover tape	Transparent PE tape, thickness: 0.045 to 0.120 mm
Reel	Plastic wheel



Reel and tape dimensions

Unit: mm



Reel and tape dimensions			
A	W	P	Qty.
330	16	16	1000

