

4250 Series 3.5 mm Earphone Vertical

General specifications

Insulator material	PBT, UL94V-0
Contact material	Phosphor bronze, plating: silver
Current rating	0.5 A
Voltage rating	30 VDC
Contact resistance	30 mΩ max.
Insulator resistance	100 MΩ min. @ 500 VDC
Dielectrical withstanding	500 VAC for 1 min
Operating temperature	-20 °C to +70 °C
Soldering	Lead free wave soldering process
Durability	5000 cycles

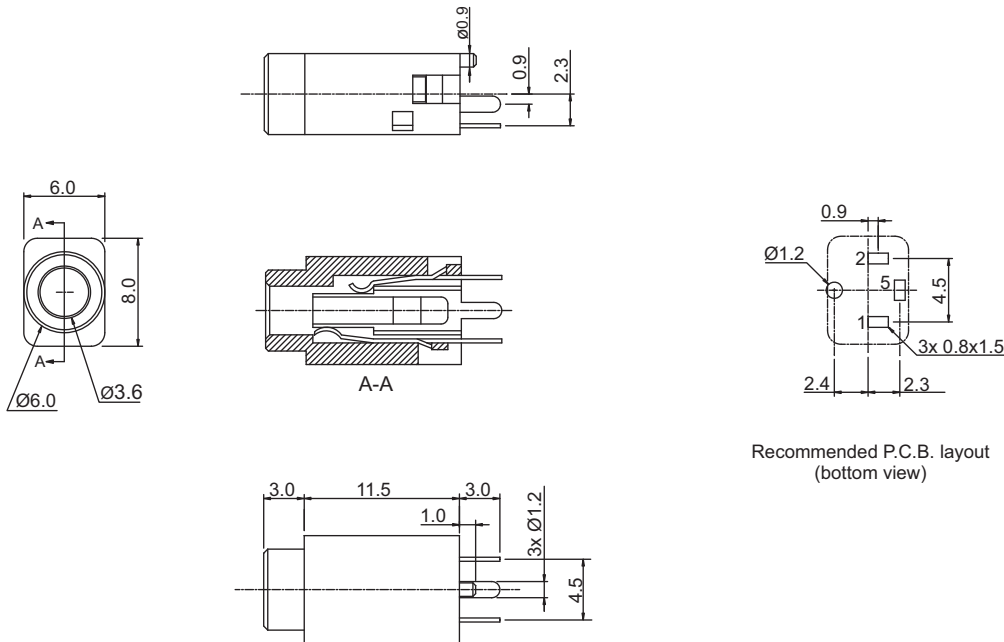
Mating parts series



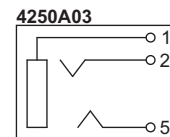
RoHS
compliant

Mechanical dimensions

Unit: mm

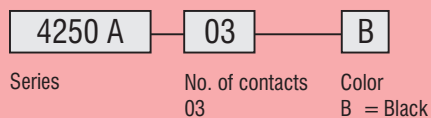


Recommended P.C.B. layout
(bottom view)



Tolerances		
Linear	<6	± 0.10
	6 to 20	± 0.20
	>20	± 0.30

Part numbering guide



* standard

