

62351 Series RJ11 / RJ12 Side Entry Shielded

General specifications

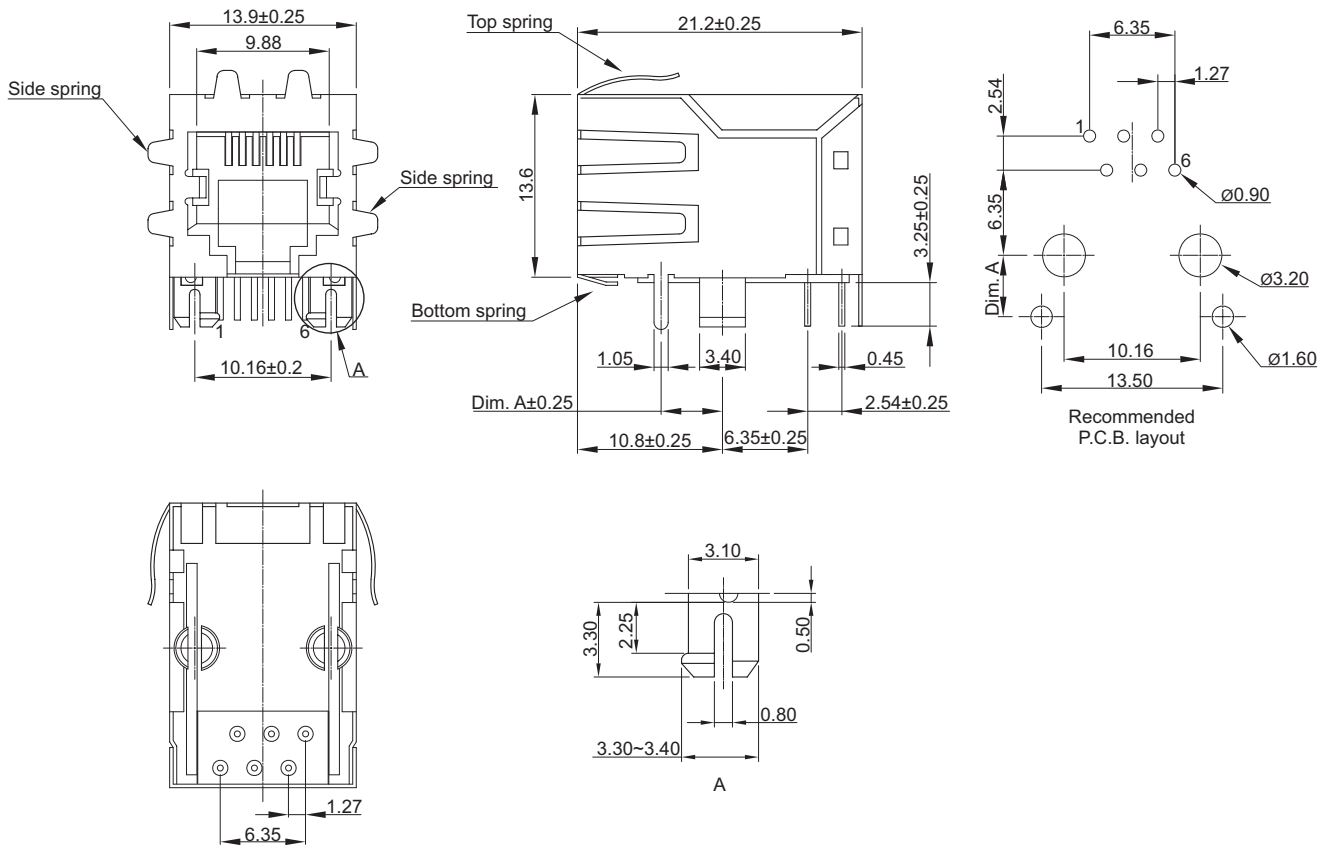
Insulator material	PBT w/ glass fiber, UL94V-0, color: black
Contact material	Phosphor bronze
Current rating	1 A
Voltage rating	150 VAC
Contact resistance	50 mΩ max.
Insulator resistance	200 MΩ min.
Dielectrical withstanding	1000 VAC for 1 min
Operating temperature	-40 °C to +85 °C
Soldering	Lead free wave soldering process
Durability	750 cycles

Mating parts series



Mechanical dimensions

Unit: mm



Tolerances		
Linear	X	± 0.25
	.XX	± 0.13
	.XXX	± 0.05

Part numbering guide

62351	C	6	A	0	0
Series	Contact plating C = 3 μ" gold K = 50 μ" gold D = 6 μ" gold F = 15 μ" gold J = 30 μ" gold	No. of contacts 4, 6	Dim. A A = 3.05 mm B = 3.65 mm C = 4.57 mm	Ground springs 0 = w/o springs 1 = top springs 2 = side springs 3 = top and side springs	Bottom spring 0 = w/o spring 1 = w/ spring

* standard

