

67130 Series RJ45 8P LED Top Entry Shielded

General specifications

Insulator material	High temperature thermoplastic, UL94V-0, color: black
Contact material	Phosphor bronze, plating: gold over nickel
Current rating	1.5 A
Voltage rating	125 VAC
Contact resistance	45 mΩ max.
Insulator resistance	1000 MΩ min.
Dielectrical withstandig	1000 VAC for 1 min
Operating temperature	-40 °C to +85 °C
Soldering	JEDEC lead free wave soldering process
Durability	750 cycles

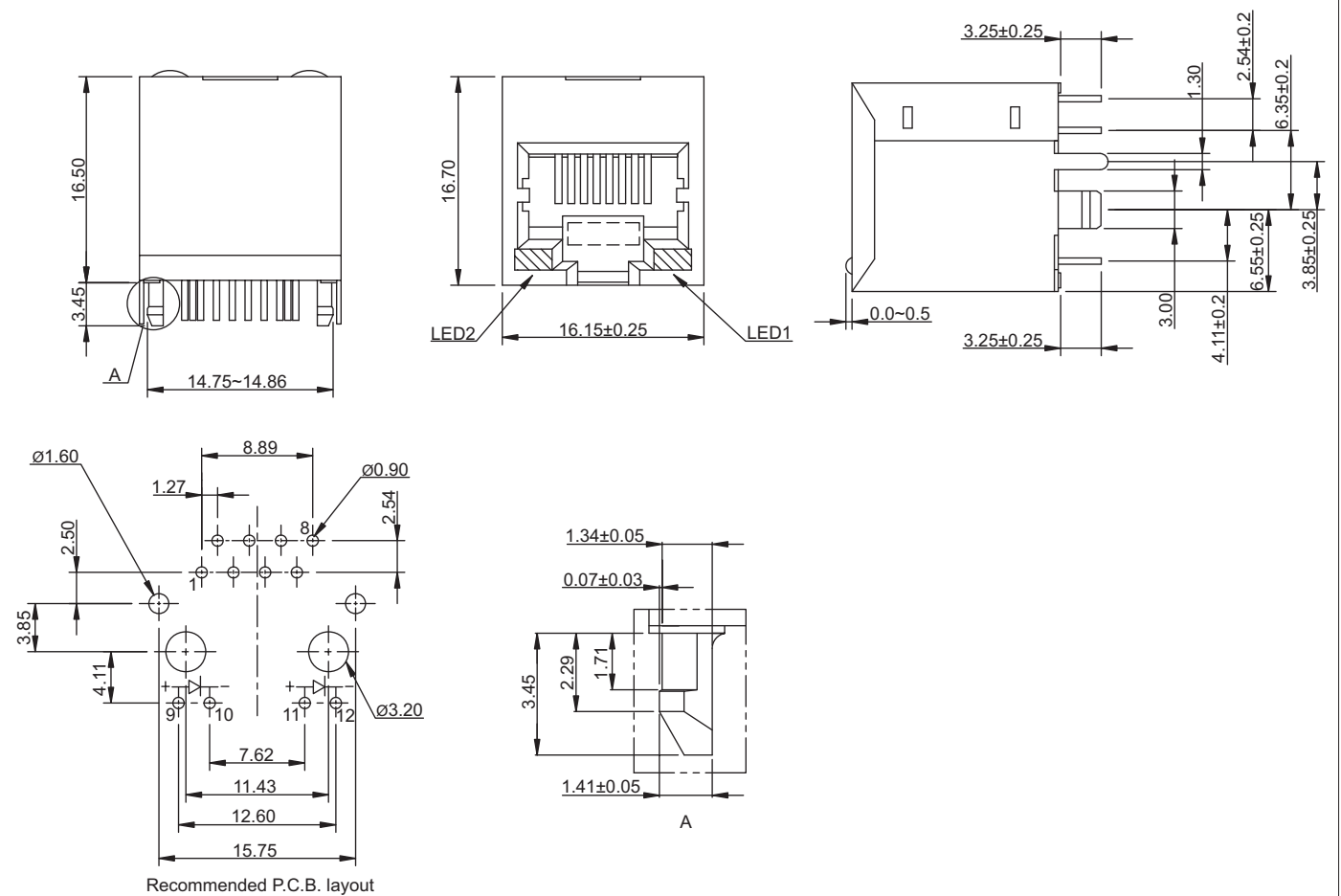
Mating parts series



RoHS
compliant

Mechanical dimensions

Unit: mm



Tolerances	
Linear	X ± 0.20
	.XX ± 0.15

Part numbering guide

67130	C	G	Y	1
Series	Contact plating C = 3 μ" gold D = 6 μ" gold F = 15 μ" gold J = 30 μ" gold	K = 50 μ" gold	Color LED1 D = Green/Yellow G = Green R = Red Y = Yellow	Color LED2 Reserved for future use

* standard

