

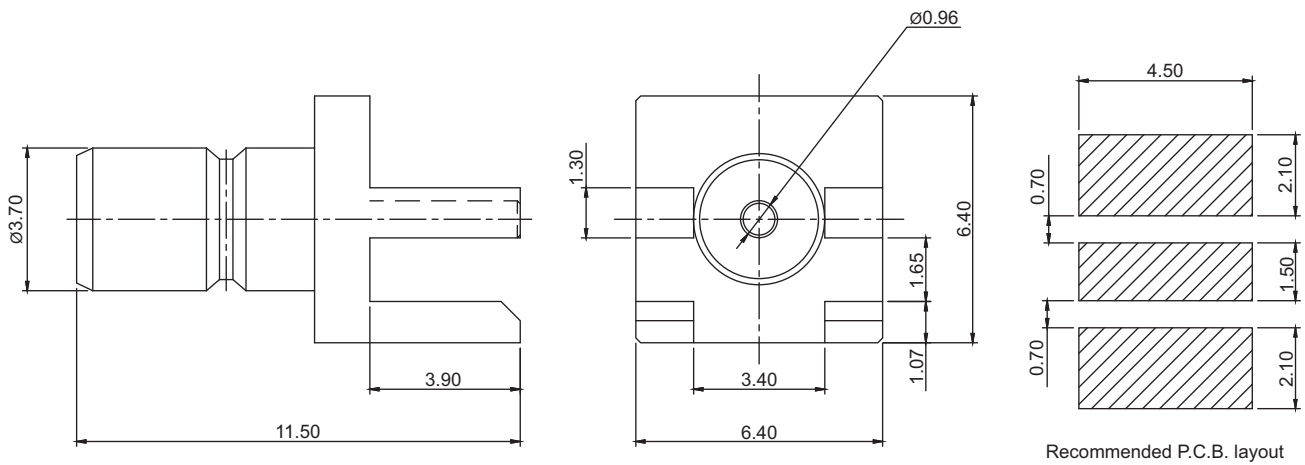
General specifications

Insulator material	Teflon
Contact material	Brass, plating: gold
Body material	Brass, plating: gold
Impedance	50 Ω or 75 Ω
Frequency range	0 to 4 GHz
Contact resistance	Center: 6 mΩ max. / outer: 2.5 mΩ max.
Insulator resistance	1000 MΩ min.
VSWR	1.3 max.
Operation temperature	-65 C to +165 C
Durability	500 cycles



Mechanical dimensions

Unit: mm



Tolerances	
Linear	<6 ± 0.2
	6 to 30 ± 0.4
	>30 ± 0.6

Part numbering guide

49609 S

50

Series

Impedance

50 = 50 Ω

75 = 75 Ω

* standard

