

5821 Series

SMT DC Jack Pin 2.00 or 2.50 mm

General specifications

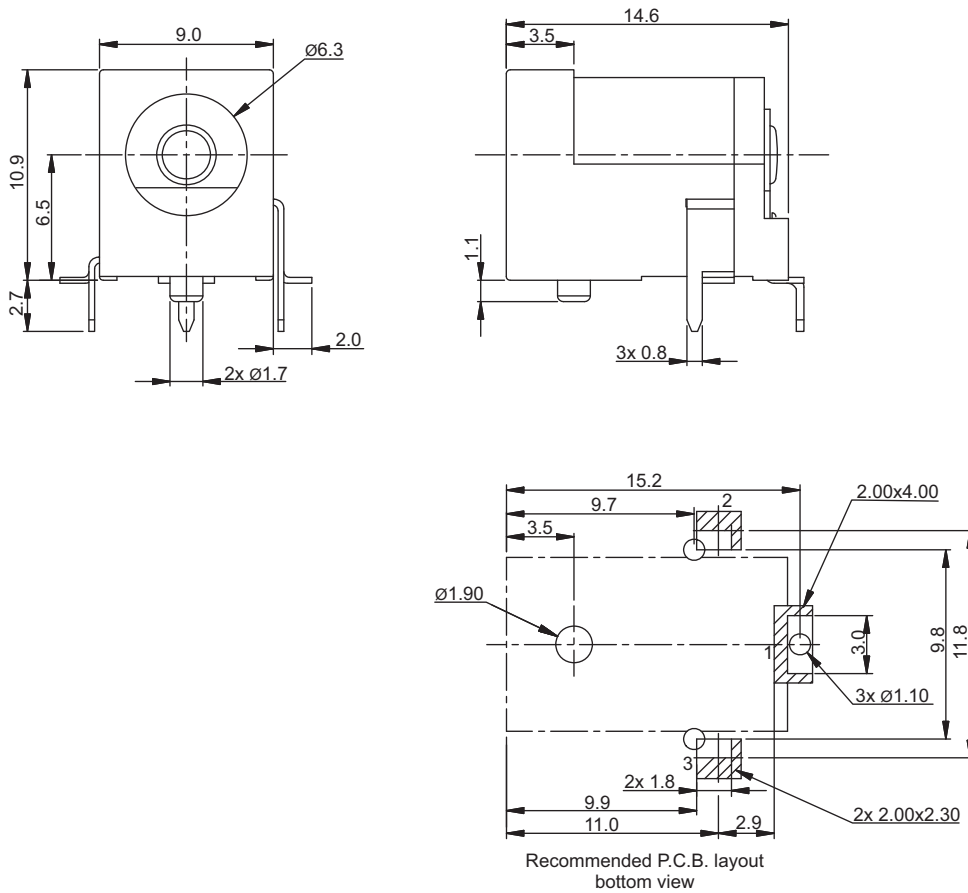
Insulator material	Nylon PA9T, UL94V-0
Contact material	Copper alloy
Current rating	2.5 A
Voltage rating	24 VDC
Contact resistance	100 mΩ max.
Insulator resistance	50 MΩ min.
Dielectrical withstanding	500 VAC for 1 min
Operating temperature	-25 °C to +85 °C
Soldering	JEDEC lead free reflow soldering process

Mating parts series

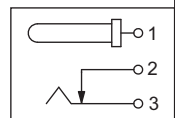


Mechanical dimensions

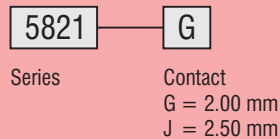
Unit: mm



Tolerances	
Linear	<6 ± 0.10
	6 to 20 ± 0.20
	>20 ± 0.30



Part numbering guide



* standard

