

49712 Series MMCX SMT Jack Straight

General specifications

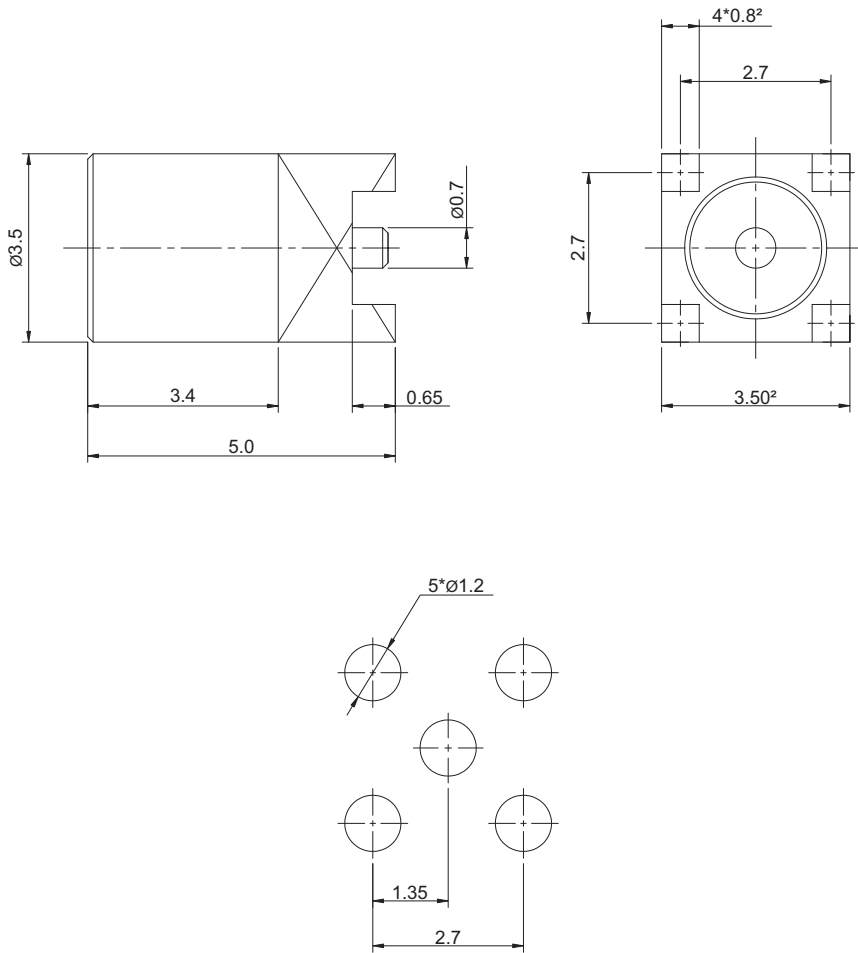
Insulator material	Teflon
Center contact material	Beryllium copper, plating: gold
Body material	Brass, plating: gold
Impedance	50 Ω
Frequency range	1 to 6 GHz
Contact resistance	Center: 5 m Ω max. / outer: 2.5 m Ω max.
Insulator resistance	500 M Ω min.
Dielectrical withstanding	500 VAC
Operation temperature	-65 C to +165 C
Durability	500 cycles



RoHS
compliant

Mechanical dimensions

Unit: mm



Recommended P.C.B. layout

Tolerances	
Linear	<6 ± 0.2
	6 to 30 ± 0.4
	>30 ± 0.6

Part numbering guide

49712	R
Series	Packing R = Reel leave blank for tray packing

* standard

