

49400 Series IEC Female Right Angle

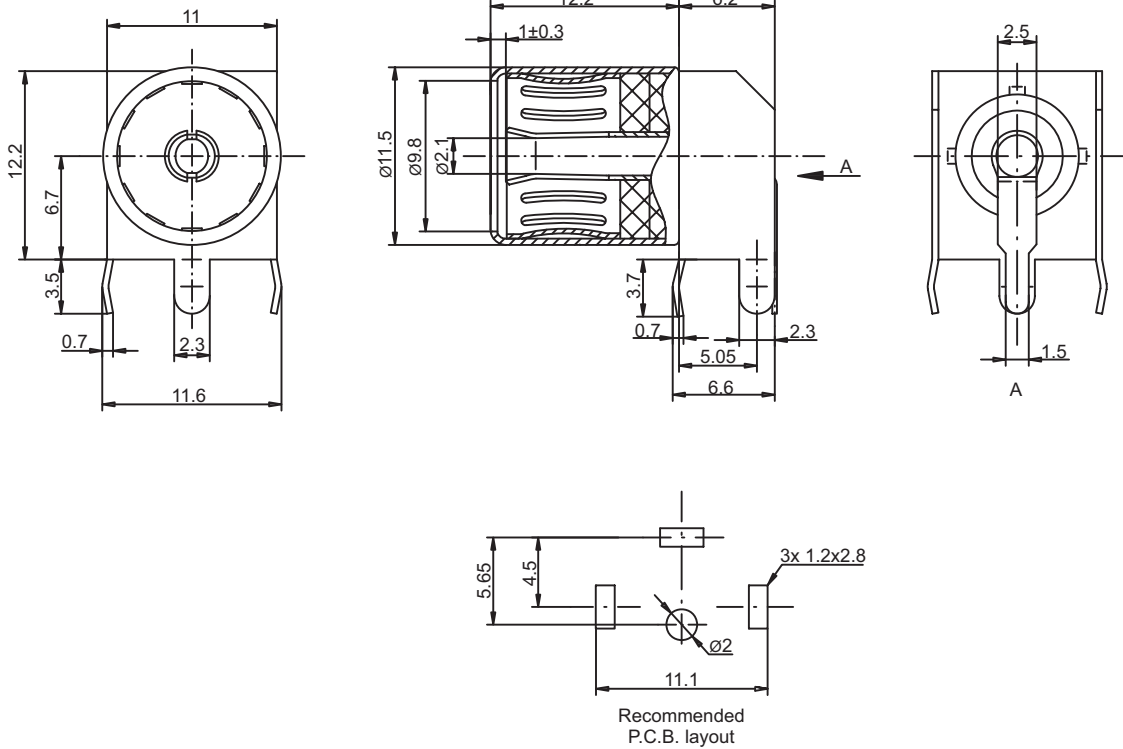
General specifications

Insulator material	Fiber glass
Base material	H62 t = 0.4, plating: CuSn
Center contact material	H62 t = 0.3, plating: CuSn
Outer conductor material	H65 t = 0.4, plating: CuSn
Contact cover material	QSn 6.5 to 0.1 t = 0.25, plating: CuSn
Contact resistance	50 mΩ max.
Insulator resistance	500 MΩ min.
Dielectrical withstanding	500 VAC for 1 min
Impedance	75 Ω



Mechanical dimensions

Unit: mm



Tolerances		
Linear	.X	± 0.30
	.XX	± 0.10

Part numbering guide

49400

Series

* standard

