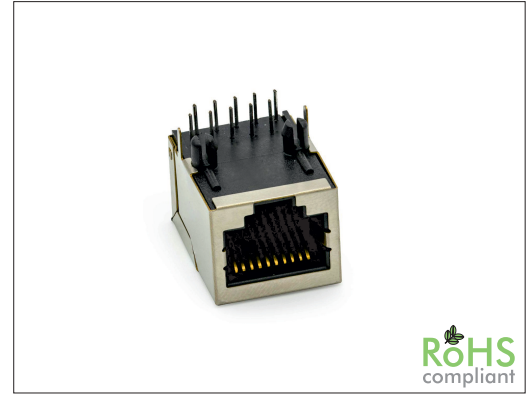


65351 Series RJ45 10P Side Entry Shielded

General specifications

Insulator material	Polyester, UL94V-0, color: black
Contact material	Phosphor bronze
Current rating	1.5 A
Voltage rating	125 VAC
Contact resistance	45 mΩ max.
Insulator resistance	1000 MΩ min.
Dielectrical withstanding	1000 VAC for 1 min
Operating temperature	-40 °C to +85 °C
Soldering	Lead free wave soldering process
Durability	750 cycles

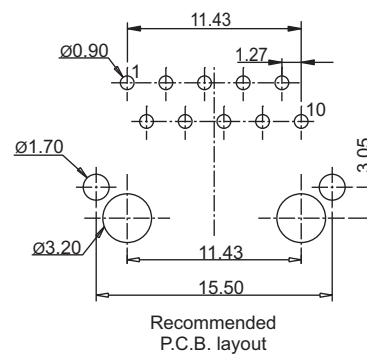
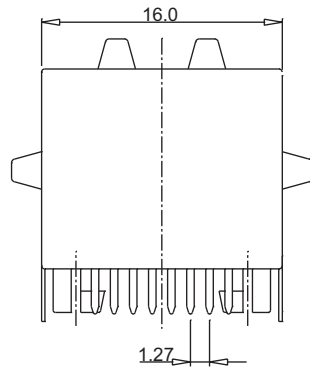
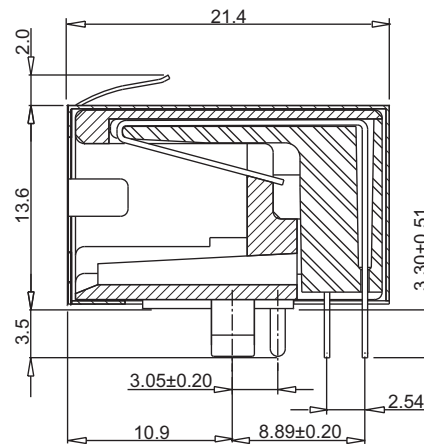
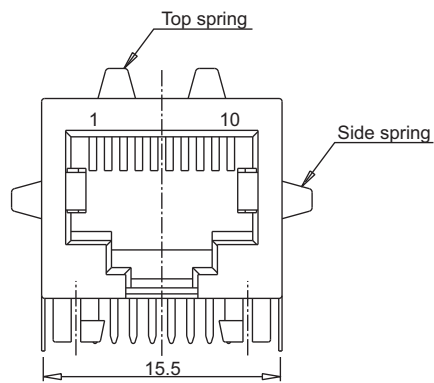
Mating parts series



RoHS
compliant

Mechanical dimensions

Unit: mm



Tolerances

Linear	X	± 0.20
	.XX	± 0.15
	.XXX	± 0.10

Part numbering guide

65351	C	8	B	0
Series	Contact plating C = 3 μ ^s gold K = 50 μ ^s gold D = 6 μ ^s gold F = 15 μ ^s gold J = 30 μ ^s gold	No. of contacts 8 = 8 1 = 10	Ground pin B = Type B	Ground springs 0 = w/o springs 1 = w/ top springs 2 = w/ side springs 3 = w/ top and side springs

* standard

