

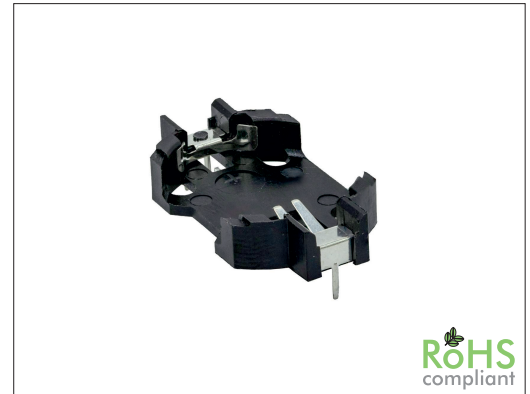
5105 Series

Battery Holder for CR2032

General specifications

Insulator material	LCP, UL94V-0, color: black
Contact material	Phosphor Bronze Tin plated
Voltage rating	500 V AC/DC
Contact resistance	30 mΩ max.
Insulator resistance	1000 MΩ min.
Operating temperature	-25 °C to +85 °C
Soldering	Lead free wave soldering process

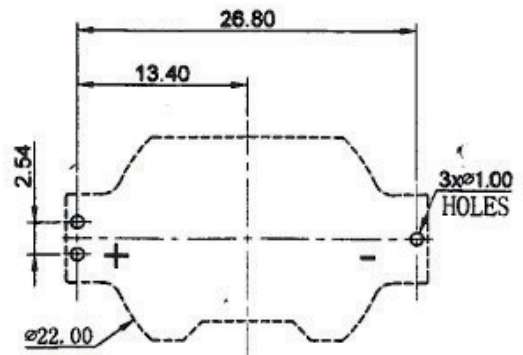
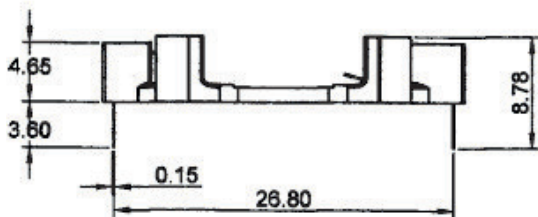
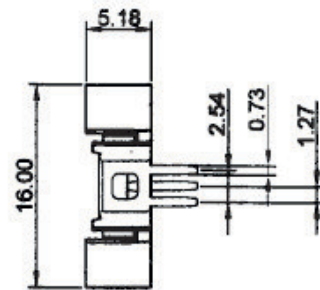
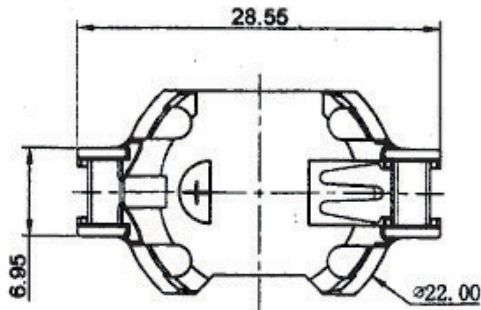
Mating parts series



RoHS
compliant

Mechanical dimensions

Unit: mm



Tolerances

Linear	X	± 0.30
	.XX	± 0.20
	.XXX	± 0.10

Part numbering guide

5105P

T

Series

Contact plating

T = Tin

* standard

