

2126 Series

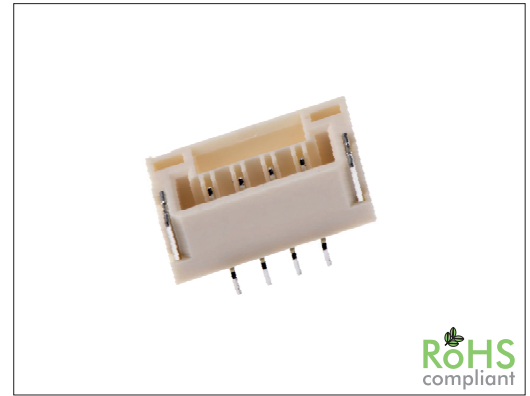
1.25 mm GH SMT Pin Header

General specifications

| | |
|---------------------------|--|
| Insulator material | High temp. plastic, UL94V-0, color: natural (halogen free) |
| Contact material | Phosphor bronze |
| Current rating | 1 A |
| Voltage rating | 50 V AC/DC |
| Contact resistance | 30 mΩ max. |
| Insulator resistance | 100 MΩ min. |
| Dielectrical withstanding | 500 VAC for 1 min |
| Operating temperature | -25 °C to +85 °C |
| Soldering | JEDEC lead free reflow soldering process |

Mating parts series

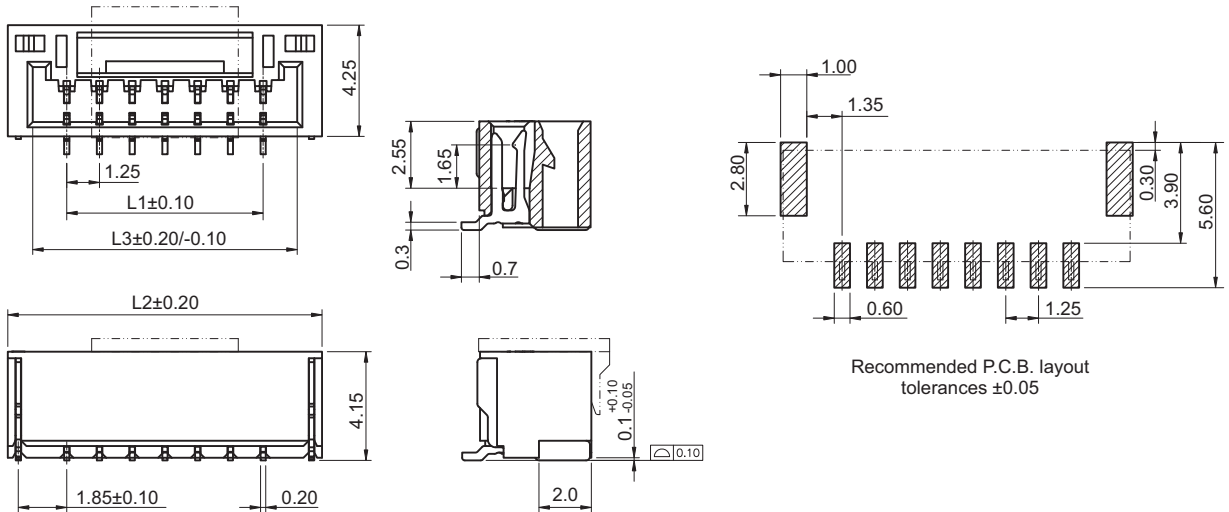
2126-PT or cable assembly



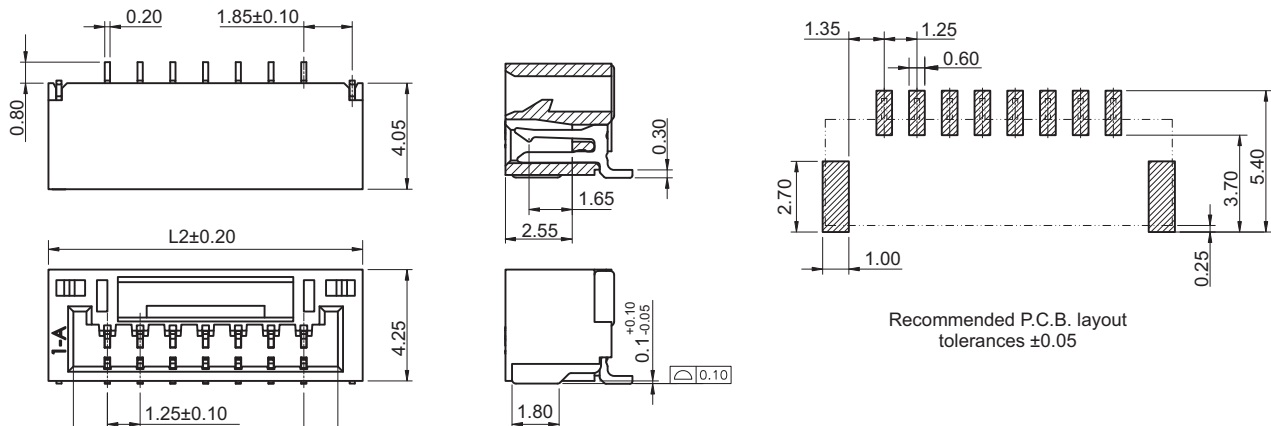
Mechanical dimensions

Unit: mm

2126V



2126H



$L1 = (\text{No. of contacts} - 1) \times 1.25$
 $L2 = L1 + 4.5$
 $L3 = L1 + 2.6$

| Tolerances | | |
|------------|-----|--------|
| Linear | X | ± 0.30 |
| | XX | ± 0.25 |
| | XXX | ± 0.20 |

Part numbering guide

2126 H — 02 — T — R

Series
H = SMT horizontal
V = SMT vertical

No. of contacts
02 to 12, 14
(13, 15, 18, 20 available
on request)

Contact plating
T = Tin*
B = Flashgold

Packing
R = Reel
T = Tube

* standard

