

Series 43005 Mini DIN - RCA Jack Combination

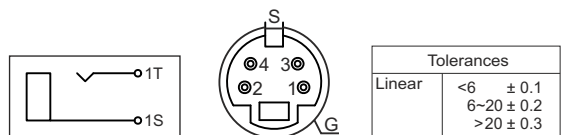
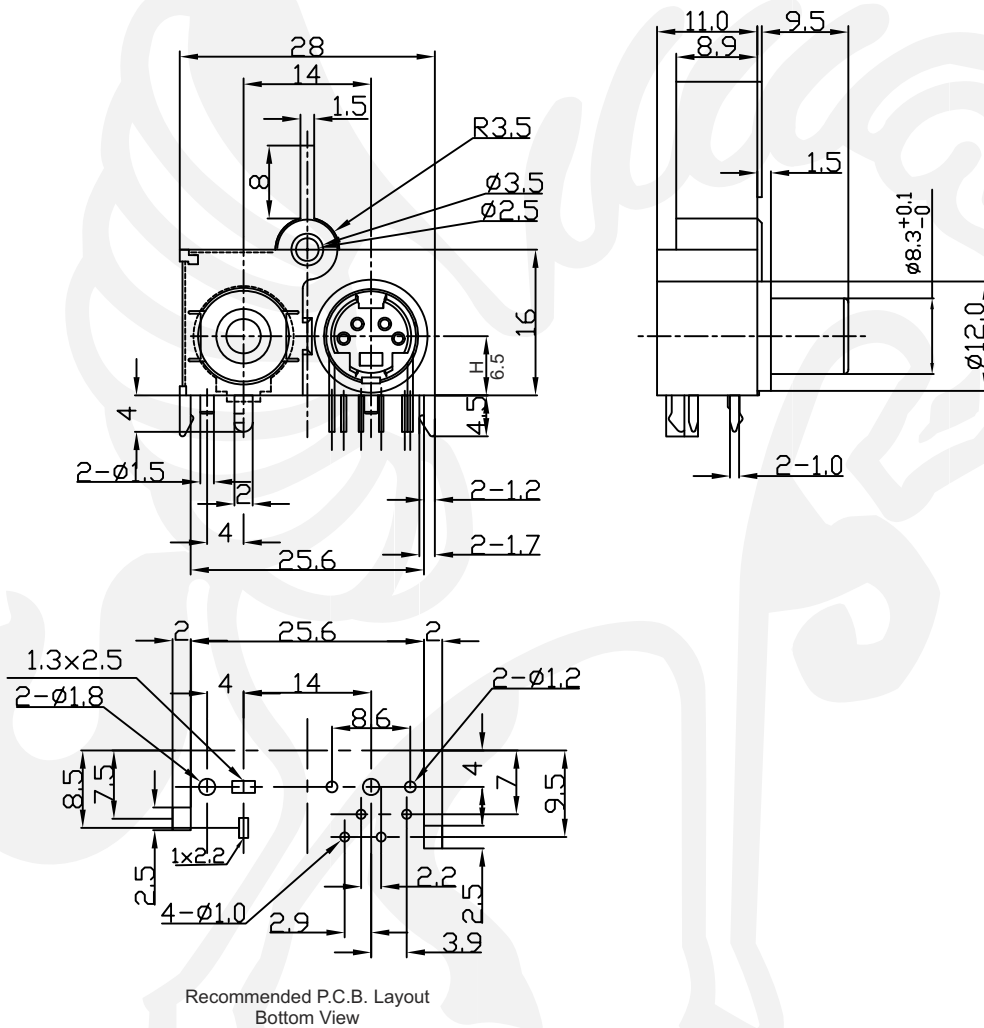
Material

Housing: PBT + Glass fiber
 Mini DIN Term.: Phosphor bronze, tin plated
 RCA Term: Brass, tin plated
 Shield: Brass, nickel plated



Electrical

Rating: 0.2 Amp @ 50 VDC
 Contact resistance: 30 mΩ max.
 Insulator resistance: 100 MΩ min.
 Dielectrical withstanding: 250 VAC/minute
 Operating temperature: -25°C ~ +70°C
 Durability: 100 cycles



All dim. in mm

43005 Z — **01**

Series 43005Z	Color code 01 = black 02 = red 03 = white 04 = blue	05 = green 06 = orange 07 = yellow	Packing Tray
------------------	---	--	-----------------